


Twisco


SLT 415 B

Mini-telescopic, maxi versatility !





Twisco SLT 415 B


 **Load capacity**1400 kg
Twisco, at 500 mm load centre


 **Standard lifting height** (with forks carrier)3.88 m
Maximum front reach2.30 m

 **Tyres**
Front /rear10 X 16,5 10 PR SKS

 **Multiple hooking carrier**
with optional hydraulic line at boom head


 **Brakes**
Service brakehydrostatic (front and rear axle)
Parking brakeelectro-hydraulic on front axle

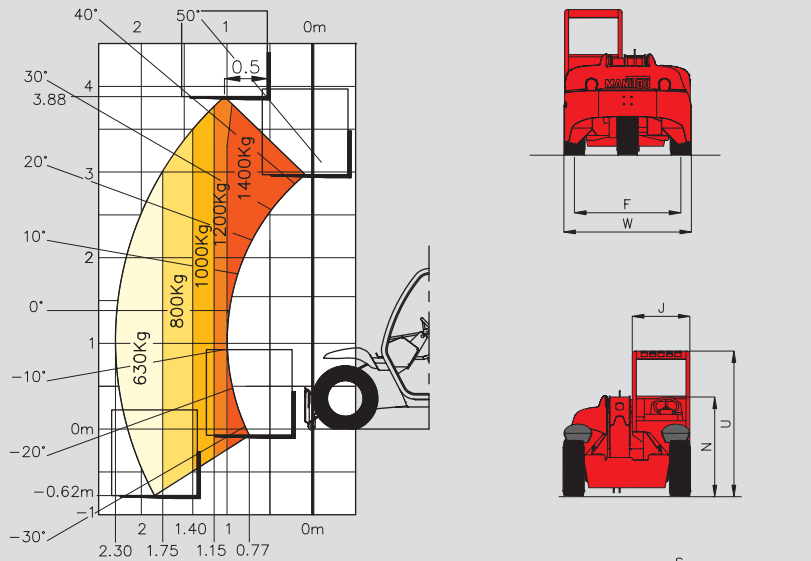
 **Lister Petter engine**
TypeLPWS 4
Capacity4 cyl. - 1860 cm³
Power(DIN 70020) 39.7 H.P./29.2 kw
Nominal capacity2800 r.p.m.
Maximum torque96.6 Nm at 2000 r.p.m.
Water cooling

 **Transmission**hydrostatic
Electro-magnetic reversing shift
Maximum travel speed13.5 km/h

 **Hydraulic system**
Main pump (gear type)240 bar/36 L/mn
Steering pumpgear type
Load Sensing120 bar/36 l/mn

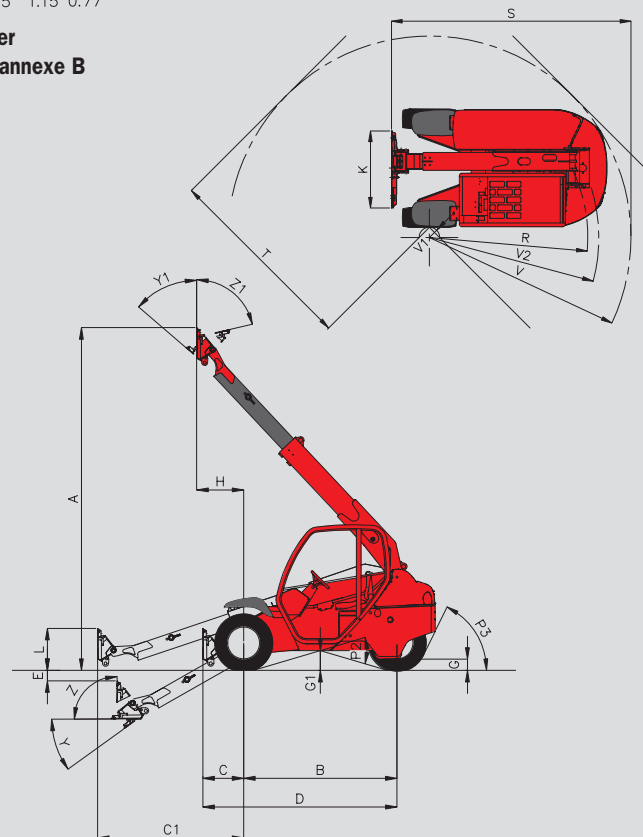
 **Capacities**
Cooling circuit8 L
Engine oil5,6 L
Hydraulic oil43 L
Fuel tank70 L

 **Weight** (with forks)2520 kg
Overall width1662 mm
Overall height1900 mm
Turning radius (rear wheel axle)2380 mm
Ground clearance258 mm
Maximum towbar pull (loaded)1650 daN



With forks carrier
under EN 1459 annexe B

SLT 415 B	
A	4471
B	2000
C	533
C1	1905
D	2533
E	136
F	1386
G	146
G1	258
H	613
J	750
K	1082
L	549
N	1300
P2	33°
P3	64°
R	2225
S	3364
T	2728
U	1900
V	2831
V1	145
V2	2380
W	1662
Y	36°
Y1	49°
Z	91°
Z1	77°



This publication in no way constitutes an offer and the company reserves the right to alter specification without prior notice. The MANITOU models presented in this brochure can be supplied complete with optional equipment attachments.



MANITOU B.F. S.A.
B.P249 - 44158 ANCENIS CEDEX - FRANCE
TEL : 33 2 40 09 10 11
EXPORT DEPARTMENT FAX : 33 2 40 09 10 97
www.manitou.com