

# MASTER®

## User's Manual & Operating Instructions

Model Numbers

MH-40-GFA / MH-60V-GFA-A / MH-125V-GFA-A / MH-150V-GFA-A



Factory ID: 001



Actual product features are subject to change due to ongoing improvements

**CONSUMER: READ AND SAVE THESE INSTRUCTIONS**

### **▲ DANGER** GENERAL HAZARD WARNING:

FAILURE TO COMPLY WITH THE PRECAUTIONS AND INSTRUCTIONS PROVIDED WITH THIS HEATER, CAN RESULT IN DEATH, SERIOUS BODILY INJURY AND PROPERTY LOSS OR DAMAGE FROM HAZARDS OF FIRE, EXPLOSION, BURN, ASPHYXIATION, CARBON MONOXIDE POISONING AND / OR ELECTRIC SHOCK.

ONLY PERSONS WHO CAN UNDERSTAND AND FOLLOW THE INSTRUCTIONS SHOULD USE OR SERVICE THIS HEATER.

IF YOU NEED ASSISTANCE OR HEATER INFORMATION SUCH AS AN INSTRUCTIONS MANUAL, LABEL, ETC. CONTACT THE MANUFACTURER.

**▲ WARNING** FIRE, BURN, INHALATION, AND EXPLOSION HAZARD. KEEP SOLID COMBUSTIBLES, SUCH AS BUILDING MATERIALS, PAPER OR CARDBOARD, A SAFE DISTANCE AWAY FROM THE HEATER AS RECOMMENDED BY THESE INSTRUCTIONS. NEVER USE THE HEATER IN SPACES WHICH DO OR MAY CONTAIN VOLATILE OR AIRBORNE COMBUSTIBLES, OR PRODUCTS SUCH AS GASOLINE, SOLVENTS, PAINT THINNERS, DUST PARTICLES OR UNKNOWN CHEMICALS.

© 2015 Pinnacle Products International, Inc.

668 Stony Hill Road #302 Yardley, PA 19067 USA • Toll Free (800)-641-6996

Fax: (215)-891-8461 • Web: [www.masterindustrialproducts.com](http://www.masterindustrialproducts.com) • Email: [info@pinnacleint.com](mailto:info@pinnacleint.com)





**NEVER LEAVE HEATER UNATTENDED WHILE BURNING,  
CONNECTED TO A POWER SOURCE, OR WHILE  
CONNECTED TO A FUEL SOURCE**

## Table Of Contents

Safety Information.....	1-3	Wiring Diagrams.....	9
Specifications and Features.....	4	Troubleshooting Guide.....	10
Operation.....	5-7	Exploded View.....	11
Ventilation.....	8	Parts List.....	12
Maintenance.....	8	Warranty.....	13

## Safety Information

**▲ WARNING** NOT FOR HOME OR RECREATIONAL VEHICLE USE.

**▲ DANGER** **Carbon Monoxide Hazard** This heater produces carbon monoxide, which has no odor. Burning the heater in an enclosed space can kill you. Never use the heater in enclosed spaces such as a tent, a camper, any vehicle or recreational vehicle (RV), enclosed shelter, or any other enclosed areas.

**▲ DANGER** If the information in this manual is not followed exactly, a fire or explosion may result causing property damage, personal injury or loss of life.

**▲ DANGER** Not for use in residential living areas or in non-adequately ventilated enclosed spaces. Never bring or store a propane cylinder indoors.

**▲ WARNING** **DO NOT OPERATE THIS HEATER UNTIL YOU HAVE READ AND THOROUGHLY UNDERSTAND THESE SAFETY AND OPERATING INSTRUCTIONS.**  
Failure to comply with the precautions and instructions provided with this heater can result in death, serious bodily injury, property loss or damage from the hazards of fire, explosions, burns, asphyxiation or carbon monoxide poisoning. Only persons who can read and understand these instructions should use or service this heater.

**▲ WARNING** This is an unvented portable heater. It uses air (oxygen) from the area in which it is used. Adequate combustion and ventilation air must be provided. Refer to VENTILATION on Page 8.

**▲ WARNING** **CALIFORNIA RESIDENTS:** This product contains chemicals, including lead, known to the State of California to cause birth defects or other reproductive harm.  
***Wash hands after handling.***

This heater is designed and approved for use as a construction heater in accordance with Standard ANSI Z83.7-2011/CSA 2.14-2011. CHECK WITH YOUR LOCAL FIRE SAFETY AUTHORITY IF YOU HAVE ANY QUESTIONS ABOUT APPLICATIONS. Other standards govern the use of fuel gasses and heating products for specific uses. Your local authority can advise you about these.

## Safety Information

**▲ WARNING RISK OF INDOOR AIR POLLUTION!**

The products described in this manual are propane direct-fired, forced air heaters. Propane forced air heaters are primarily intended for use for temporary heating of buildings under construction, alteration or repair. Direct-fired means that all of the combustion products of the heater enter the heated space. This appliance is rated at 98% combustion efficiency, but does produce small amounts of carbon monoxide.

**▲ DANGER CARBON MONOXIDE POISONING MAY LEAD TO DEATH!**

Carbon monoxide is toxic. Humans can tolerate only small amounts of carbon monoxide and so precautions should be taken to provide proper ventilation. Failure to provide proper ventilation in accordance with the instructions in this manual can result in death.

People with breathing problems should consult a physician before using this heater.

Early signs of carbon monoxide poisoning resemble the flu. Symptoms of improper ventilation / carbon monoxide poisoning are:

**Headache • Dizziness • Nausea • Dry Mouth  
Sore Throat • Burning of Nose and Eyes**

If you experience any of these symptoms: **GET FRESH AIR AT ONCE!** Have your heater serviced and check for proper ventilation. Some people are more affected by carbon monoxide than others. These include: pregnant women, those with heart or lung problems, anemia or those under the influence of alcohol or at high altitudes.

**FOR OUTDOOR USE. INDOOR USE PERMITTED ONLY FOR: The temporary heating of adequately ventilated buildings or structures under construction, alteration or repair! Provide at least a three square foot (2,800 sq cm) opening of outside air for every 100,000 Btu / Hr heater rating. Refer to "Ventilation" on page 8 for further instructions.**

**▲ DANGER PROPANE IS AN EXPLOSIVE GAS.**

**WHAT TO DO IF THE SMELL OF GAS IS PRESENT:**

- **DO NOT attempt to light the heater.**
- **Extinguish any open flame.**
- **Shut off gas to heater.**
- **If odor continues, contact your local gas supplier or fire department.**
- **DO NOT touch or use any electric switch or any electric device that can cause a spark.**
- **Immediately call your gas supplier from a neighbors phone. Follow the gas suppliers instructions.**
- **If you can not reach your gas supplier, call the fire department.**
- **Service must be done by a qualified service agency.**

**▲ WARNING RISK OF BURNS, FIRE AND EXPLOSION!**

NEVER store or use gasoline or other flammable vapors and liquids in the vicinity of this heater.  
NEVER store a propane (LP) cylinder not connected to this heater in the vicinity of this heater.  
NEVER connect heater to an unregulated gas supply.  
NEVER obstruct the flow of combustion and ventilation air. (The front and rear of heater).  
NEVER use duct work in front or rear of heater.  
NEVER modify this heater or operate a heater that has been modified.  
NEVER service, move or handle heater while still hot or operating

**▲ WARNING CAUTION! HOT WHILE IN OPERATION. DO NOT TOUCH. KEEP CHILDREN, ANIMALS, CLOTHING AND COMBUSTIBLES AWAY FROM HEATER.**

Keep all combustible materials away from this heater.

Minimum Clearance From Combustibles			
Sides	Top	Front	Rear
24 in.	36 in.	72 in.	24 in.

## Safety Information

**▲WARNING RISK OF ELECTRIC SHOCK!**

**▲WARNING Electrical Grounding Instructions:** This appliance is equipped with a three-prong (grounding) plug for your protection against shock hazard and should be plugged directly into a properly grounded three-prong receptacle.

ALWAYS use the electrical power (voltage and frequency) specified on the model plate of the heater.  
ALWAYS use only 14 AWG or better extension cord.  
ALWAYS unplug the heater when not in use.  
ALWAYS install the heater so that it is not directly exposed to water spray, rain, dripping water, or wind.

**▲WARNING For use with propane (LP) gas only.**

- Use heater in accordance with all local codes. In the absence of local codes, refer to The National Fuel Code, ANSI Z223.1.
- **This heater is shipped from the factory for use with propane (LP) gas only.** Do not convert to any other gas. Installation must conform to local codes, or in their absence, with the standard for the Storage and

**▲WARNING** The hose assembly shall be protected from traffic, building material and contact with hot surfaces both during use and while in storage.

Handling of Liquefied Petroleum Gases ANSI/NFPA 58 and the Natural Gas and Propane Installation Code CSA B149.1.

- Gas supply connections should be checked by using a 50/50 soap and water solution. Never use a flame to check for gas leaks.
- Locate LP cylinder at least 6 feet (10 ft. in Canada) from the heater, and do not direct heater discharge towards the LP cylinder unless it is at least 20 feet from the heater.
- Use only the regulator and hose assembly provided with this heater. Inspect the regulator/hose assembly prior to each use of the heater. If there is excessive abrasion or wear, or if the hose is cut, replace it with the proper assembly shown in the parts list, prior to using the heater.

Minimum and Maximum Inlet Pressure				
	MH-40	MH-60V	MH-125V	MH-150V
Min.	5 PSI			
Max.	Bottle Pressure			

**▲WARNING RISK OF FIRE! DO NOT POSITION HEATER IN A DOWNWARD ANGLE. ALWAYS LOCATE HEATER ON A STABLE AND LEVEL SURFACE!**

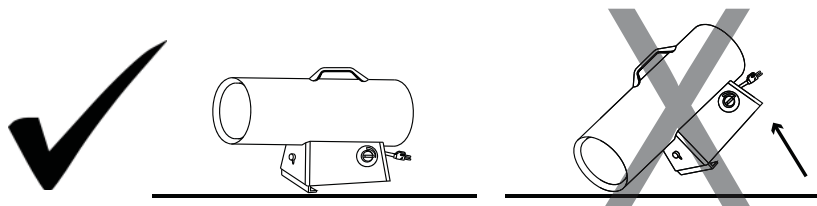


Figure 1

## Unpacking

1. Remove all packing items applied to heater for shipment. Keep plastic cover caps attached to inlet connector and hose / regulator assembly for storage.
2. Remove all items from carton
3. Check all items for shipping damage. If the heater is damaged, promptly inform dealer where you purchased the heater.

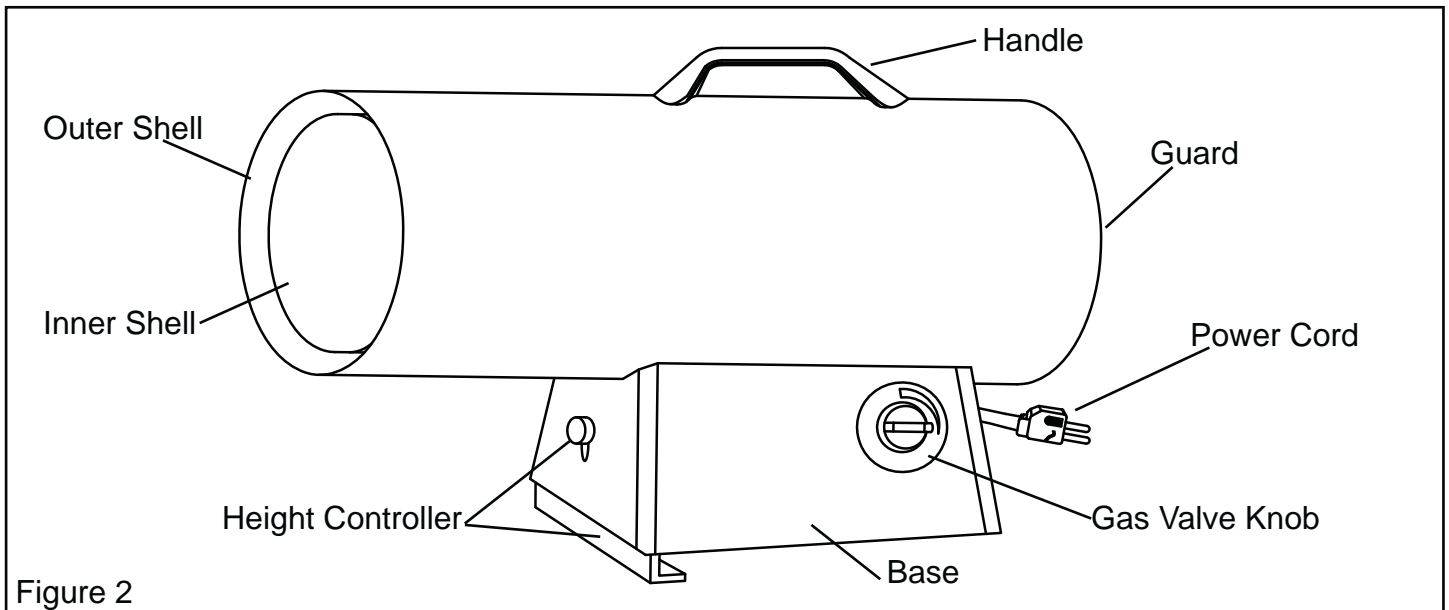
**▲CAUTION** The Propane (LP) gas pressure regulator and hose assembly supplied with the heater must be used without alteration.

## Specifications

Model #	MH-40-GFA	MH-60V-GFA-A	MH-125V-GFA-A	MH-150V-GFA-A
BTU	40,000	40/50/60,000	95/110/125,000	120/135/150,000
Fuel Consumption (Lbs./hr)	1.9	1.9 / 2.3 / 2.8	4.4 / 5.1 / 5.8	5.5 / 6.2 / 6.9
Maximum Operating Hours	11	10.5	22.7	18
Required Cylinder Lbs.	20	20	100	100
Fuel Type	Propane	Propane	Propane	Propane
Heating Area (Ft. <sup>2</sup> )	1,000	1,500	3,125	3,800
Air Flow (CFM)	300	300	400	400
Max Outlet Temp (°F)	477	491	500	622
Volts: AC/Hz	120V / 60Hz	120V / 60Hz	120V / 60Hz	120V / 60Hz
Amps	0.6 A	0.6 A	0.8 A	0.8 A

Specifications subject to change without notice.

## Features



**Missing Parts? Please Call 800-641-6996 For Assistance**

## Operation

### Propane Supply / Information:

#### Propane (LP)

This heater is not supplied with a propane cylinder. Use only an approved propane cylinder.

#### LP Characteristics

- Flammable, explosive under pressure, heavier than air and pools in low areas.
- In its natural state, propane has no odor, but for your safety an odor that smells like rotten cabbage has been added.
- Contact of propane (LP) gas with the skin can cause freeze burns.
- Heater is manufactured for use with propane gas only. DO NOT attempt to convert to any other gas. Such modifications are dangerous and will void the warranty.
- When heater is not in use, LP Cylinder must be turned OFF.
- Be sure that the LP Cylinder is located on a level and stable surface.
- DO NOT use this heater in a basement or below ground level. Propane is heavier than air and will always seek the lowest level. If you suspect a leak, shut off the valve at the LP Cylinder immediately.

#### The Propane (LP) cylinder must also be equipped with the following

- A collar to protect the gas valve.
- A shut-off valve terminating a LP cylinder valve outlet as specified in the American National Standard for Compressed Gas Cylinder Valve Outlets and Inlets Connections.
- A safety relief valve having direct communications with the vapor space of the LP cylinder.
- The heater must operate on vapor withdrawal from the operating cylinder.

The amount of Propane (LP) used with this heater varies. Both factors are

- The amount of gas in the cylinder of LP.
- The temperature of the LP tank and its surroundings.

Average Temp (°F)	40-GFA 20 / 100 lb. cylinder	60V-GFA-A 20 / 100 lb. cylinder	125V-GFA-A 20 / 100 lb. cylinder	150V-GFA-A 20 / 100 lb. cylinder
32°	1	1	2	2
20°	1	1	2	2
10°	1	1	3	3
0°	1	1	3	3
-10°	2	2	Use Larger Tank	Use Larger Tank
-20°	2	2	Use Larger Tank	Use Larger Tank

The table above shows the minimum number of 100 lb. LP cylinders required in cold weather. Your local LP dealer will help you select the proper LP supply System

**▲ CAUTION** Propane is safe to use when properly handled. Careless handling of the LP cylinder could result in a fire and or an explosion.

- Always keep LP cylinder fastened and upright.
- Avoid tipping the LP cylinder on its side when connected to a regulator, since this may cause damage to diaphragm in the regulator.
- Handle valves with care.
- Never connect an unregulated LP cylinder to a construction heater.
- DO NOT subject LP cylinder to excessive heat.
- Tightly close the gas shutoff valve on the LP cylinder after each use.
- All fittings must be protected when disconnected from the LP cylinder.
- Never store an LP cylinder inside a building or in the vicinity of an gas burning appliances.

**▲ CAUTION** The disconnected tank must never be stored in a building, garage or any other enclosed area.

## Operation

### Pre-Lighting Instructions:

#### Connecting the LP Cylinder

**▲WARNING** Purging and filling of the LP cylinders must be performed by personnel who have been thoroughly trained in accepted LP gas industry procedures. Failure to follow these instructions may result in explosion, fire, severe personal injury or death.

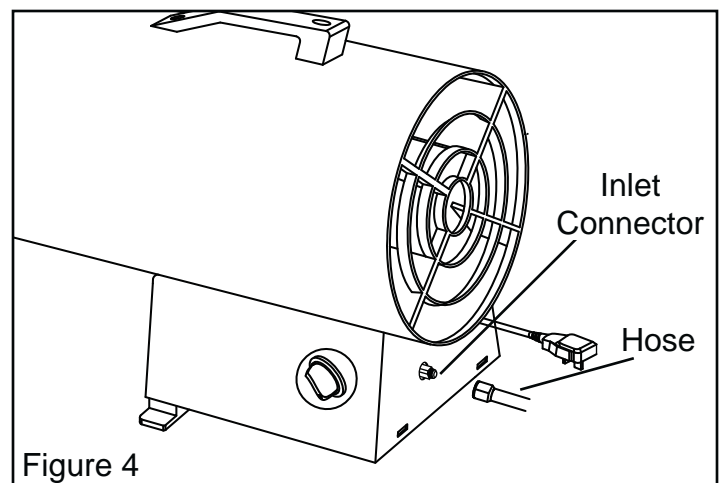
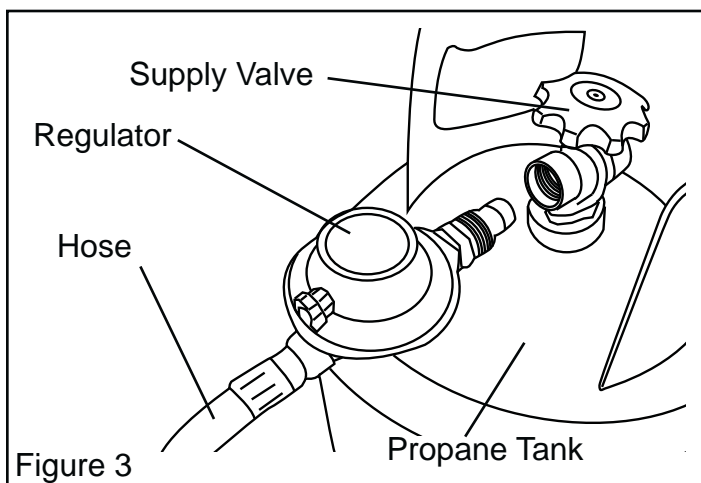
#### **ALL NEW LP CYLINDERS MUST BE PURGED BEFORE THE FIRST FILLING.**

- Turn heater gas valve knob and LP cylinder valve to OFF position.
- LP cylinder valve equipped with old style fitting has LEFT HANDED THREADS. Turn fitting CLOCKWISE to loosen. Protect this fitting when disconnected from LP cylinder.
- Have your LP cylinder filled by your local propane gas supplier.
- Some LP cylinders have a bleed-OFF valve. This valve should be inspected for leaks after each filling of the LP cylinder. Turn the valve clockwise to close.
- Fasten full propane tank and connect proper fitting to LP cylinder valve by turning COUNTER-CLOCKWISE.

- With heater gas valve knob still in OFF position turn ON the LP cylinder valve and check for leaks with soap solution.

#### Checking For Leaks

- To check for leaks, make up a 50/50 solution of dish soap and water. Apply this solution to all gas connections. If bubbles appear, there is a leak. If a leak is found, turn off the gas supply, and re-connect the leaking connection. If the leak persists after several tries, contact Pinnacle Customer Service at (800)-641-6996.
- The installation of this heater must meet all local codes and/or gas utility requirements. In the absence of local codes, the National Fuel Code ANSI Z223.1 should be followed.
- The minimum clearances to any combustible construction materials must be maintained at all times (See Page 2).
- Inspect the heater before each use, and at least annually by a qualified service person.



## Operation

### Lighting Instructions:

#### Starting the Heater (Ignition)

1. Connect the heater to a three prong (grounded) power source. You must use a three prong (grounded) extension cord that is at least 6 feet long is a minimum of 14 AWG rating.
2. Connect heater to a proper LP cylinder.
3. Turn gas valve CLOCKWISE to off position.
4. Wait five (5) minutes for any gas to clear. Smell for gas, if you do not smell gas, go to step 5.
5. Push in and turn gas control knob COUNTERCLOCKWISE to 1 position. This will light the burner. If needed, keep pressing control knob until the burner lights and keep pressing and turning from "O" (OFF) to 1 on Piezo electric spark models (1 on Model 40-GFA). (See Figure 5)
6. Keep the valve knob depressed for at least 30 seconds after lighting the burner. After 30 seconds, release the valve knob.
7. If the burner does not stay lit, repeat the lighting procedures.
8. When burner stays lit, turn gas valve knob COUNTERCLOCKWISE to desired setting (All models except 40-GFA).

#### Shutdown Instructions

To Shut Off the Heater:

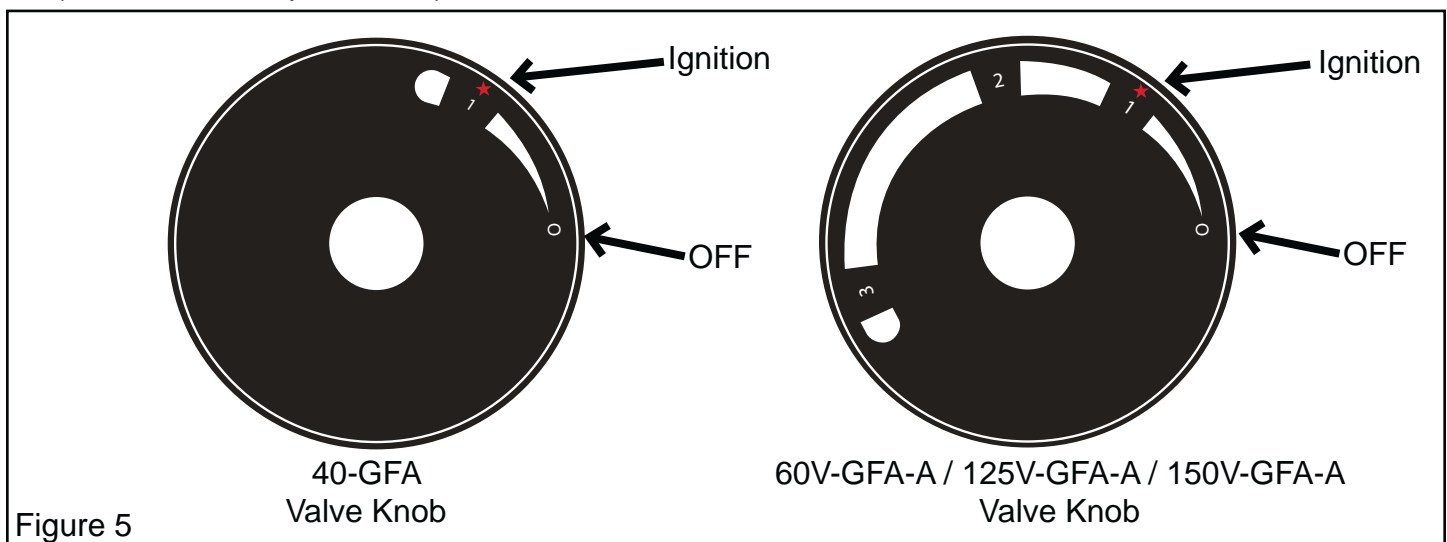
1. Turn gas valve knob CLOCKWISE to "O" (OFF) position. (See Figure 5)
2. Turn gas supply OFF by turning the LP cylinder valve CLOCKWISE to close.
3. Disconnect the power cord.

#### Test Firing the Heater

Test fire your construction heater following the lighting instructions applicable to the gas control system employed.

Leak test all gas connections with 50/50 soap and water solution prior to start-up. Soap bubbles indicate a gas leak. DO NOT use a match or flame to test for gas leaks.

**NOTE: Heater surface temperature must be cold before initiating service, cleaning or storage.**





## Ventilation

**▲ DANGER CARBON MONOXIDE POISONING MAY LEAD TO DEATH!**

- Risk of indoor air pollution and Carbon Monoxide Poisoning. Use heater only in well ventilated areas.
- Refer to Safety Information on pages 1-2 for information about Carbon Monoxide Poisoning.
- **ALWAYS** provide a fresh air opening in the heated space of at least three square feet (2,800 sq. cm) for each 100,000 BTU / Hr. of heater output. Provide a larger opening if more heaters are being used.

Minimum Ventilation Opening Needed			
40-GFA	60V-GFA-A	125V-GFA-A	150V-GFA-A
1.2 ft. <sup>2</sup>	1.8 ft. <sup>2</sup>	3.8 ft. <sup>2</sup>	4.5 ft. <sup>2</sup>
1110 cm <sup>2</sup>	1670 cm <sup>2</sup>	3530 cm <sup>2</sup>	4180 cm <sup>2</sup>

**▲ DANGER Not for use in residential living areas or in non-adequately ventilated enclosed spaces.**

## Storage / Maintenance

Always disconnect the heater from the LP cylinder before putting the heater into storage. If for any reason the heater is to be stored indoors, the tank **MUST** be disconnected from the LP cylinder, and the cylinder stored outdoors in a well-ventilated area, out of the reach of children, and in accordance with the Standard for Storage and Handling of Petroleum Gases, ANSI/NFPA 58 - latest edition and Natural Gas and Propane Installation Code, CSA B149.1. The plastic valve plug or valve cover supplied with the cylinder must be re-installed on the valve to protect the fitting from damage.

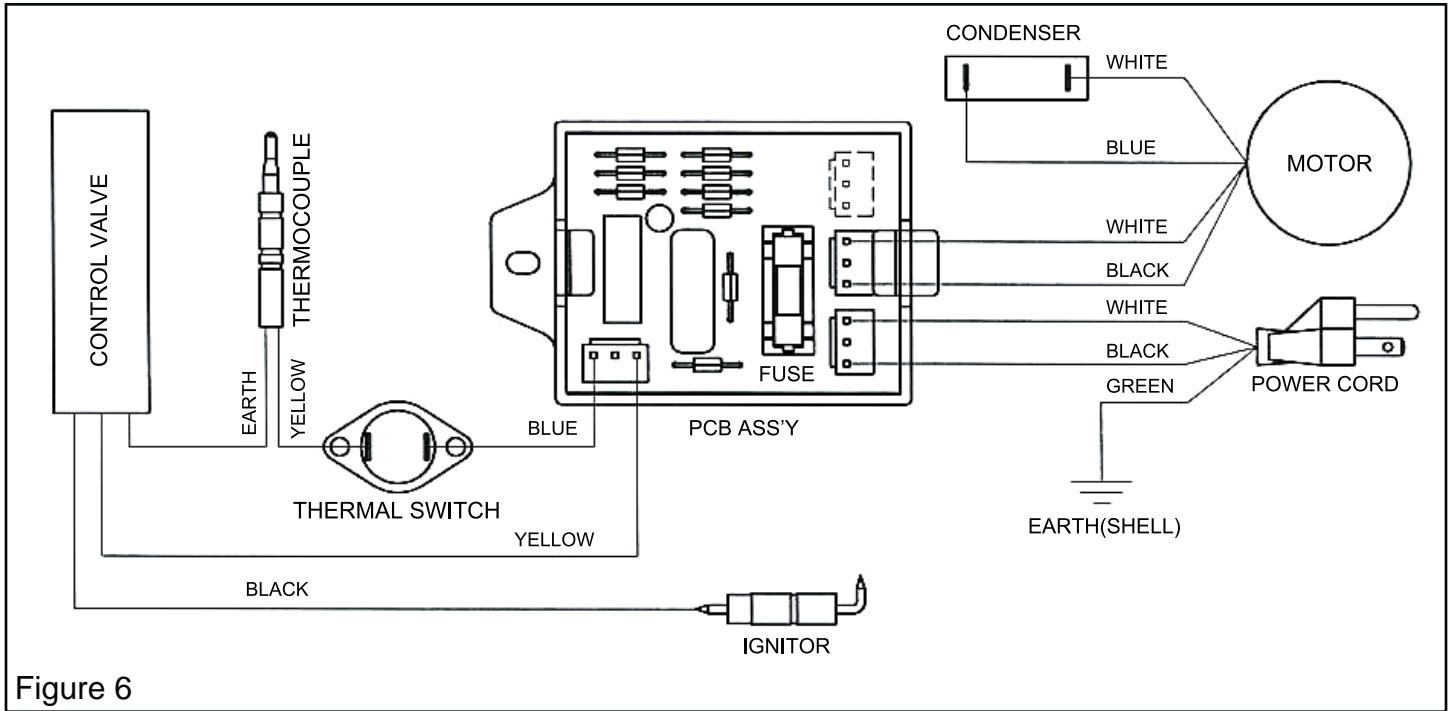
**▲ DANGER Never store an LP cylinder inside of a building or near any other gas or oil burning appliances.**

**NOTE: Installation and repair of this heater should be done by a qualified service person.**

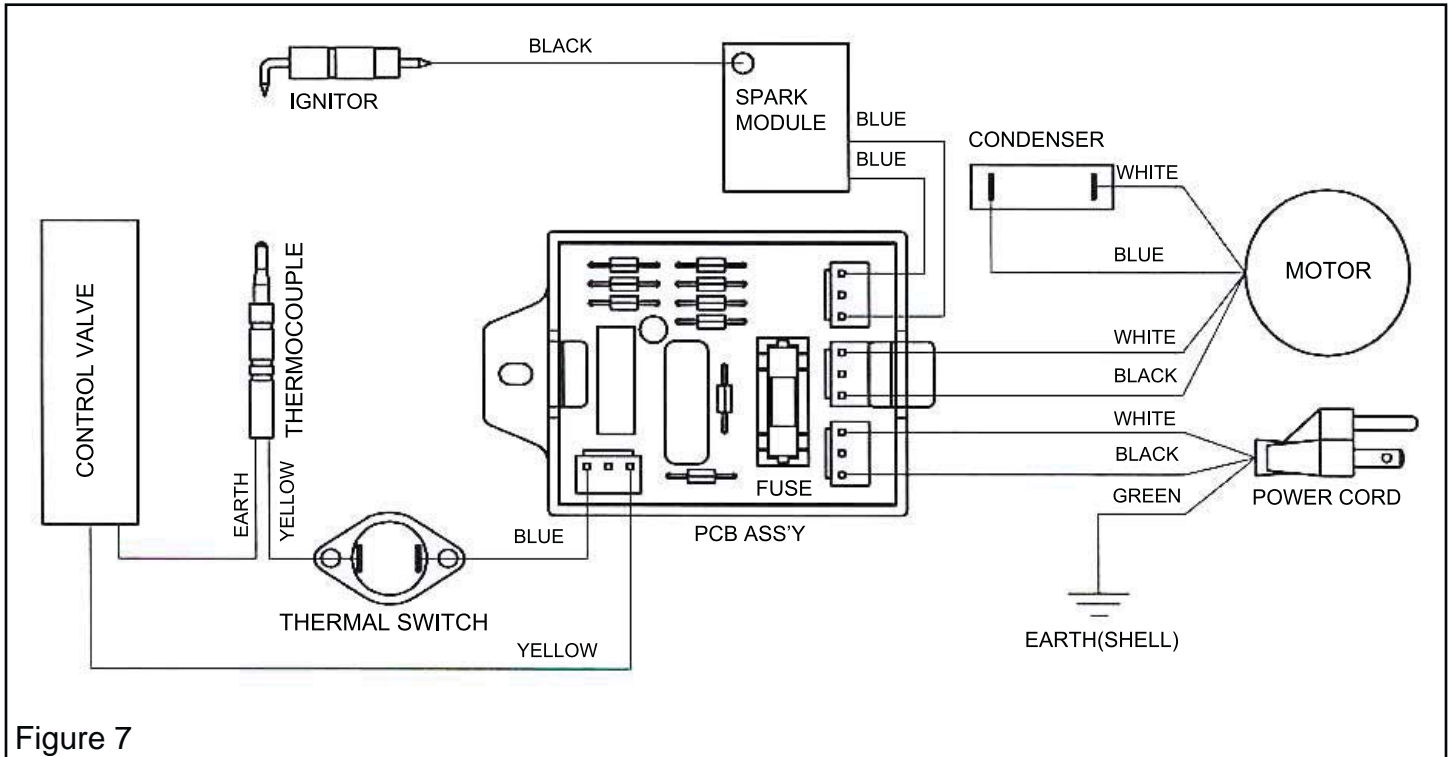
**ALWAYS** be sure to follow proper maintenance procedures. This should include cleaning the inside of the heater once a month and checking the spark gap at least once a heating season. Re-gap the terminals to 0.160" (4mm)

## Wiring Diagrams

### 40-GFA



### 60V-GFA-A / 125V-GFA-A / 150V-GFA-A





**NEVER LEAVE HEATER UNATTENDED WHILE BURNING,  
CONNECTED TO A POWER SOURCE, OR WHILE  
CONNECTED TO A FUEL SOURCE**

## Troubleshooting Guide

### Locating Your Serial Number:

Your serial number can be found on a white label on the right side cover of your heater. It will begin with the letters “HGF” followed by 8 digits. For Example: HGF12345678. Have your Serial Number ready before calling customer service at 800-641-6996.

<b>Problem</b>	<b>Possible Cause(s)</b>	<b>Solution</b>
Fan does not turn when electricity is connected.	<ol style="list-style-type: none"><li>1. No electric power to heater.</li><li>2. Blades of fan in contact with heater housing.</li><li>3. Fan blades bent.</li><li>4. Fan motor defective.</li></ol>	<ol style="list-style-type: none"><li>1. Check current at outlet. If voltage is correct, inspect extension and power cords for cuts, frays or breaks</li><li>2. Check housing for damage. Be sure there are no dents in the housing obstructing the fan.</li><li>3. Straighten all fan blades.</li><li>4. Replace motor assembly.</li></ol>
Heater will not fire (ignite).	<ol style="list-style-type: none"><li>1. No spark at module.</li><li>2. Incorrect spark gap.</li><li>3. Corroded electrode.</li></ol>	<ol style="list-style-type: none"><li>1. Inspect module wire. Re-attach or tighten if loose. Inspect spark module and replace if necessary. Inspect all other electrical components.</li><li>2. Set plug gap to 0.16” (4 mm).</li><li>3. Replace spark plug (multi-bracket assembly).</li></ol>
Heater stops running by itself.	<ol style="list-style-type: none"><li>1. Temperature inside heater is too high, causing thermal switch to shut down operation.</li><li>2. Damaged control valve.</li><li>3. Dust or Debris accumulated in heater.</li></ol>	<ol style="list-style-type: none"><li>1. If the heater input or output is restricted, the inside temperature can become too hot. Keep the areas in front and behind heater clear of obstructions.</li><li>2. Replace control valve.</li><li>3. Clean inside of heater.</li></ol>

## Exploded View

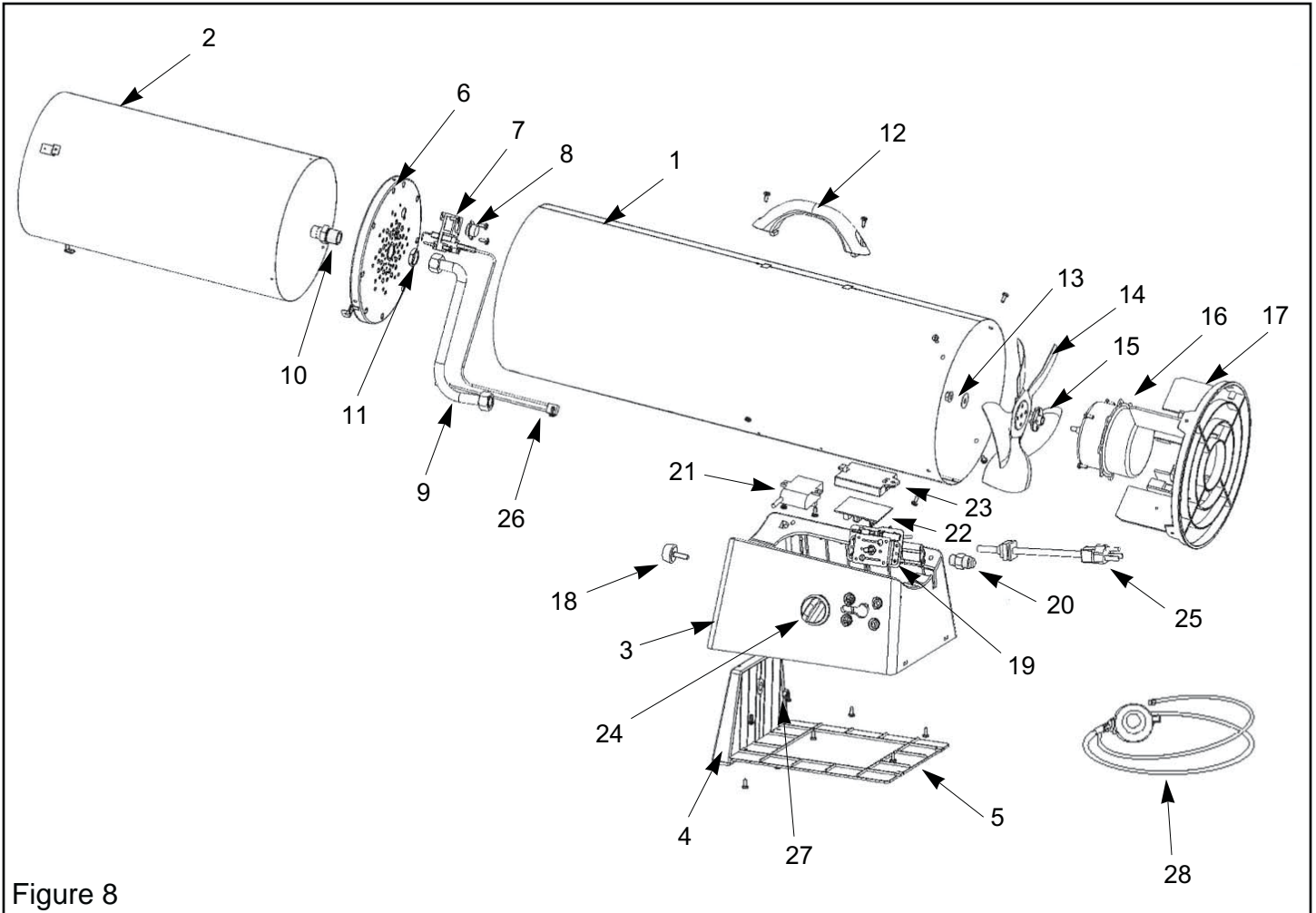


Figure 8



**NEVER LEAVE HEATER UNATTENDED WHILE BURNING,  
CONNECTED TO A POWER SOURCE, OR WHILE  
CONNECTED TO A FUEL SOURCE**

## Parts List

Item #	Description	MH-40-GFA	MH-60V-GFA-A	MH-125V-GFA-A	MH-150V-GFA-A
1	Outer Shell	22-524-0075	22-524-0076	22-524-0077	22-524-0077
2	Inner Shell Assembly	22-524-0004	22-524-0004	22-524-0005	22-524-0005
3	Base	22-501-0003	22-501-0001	22-501-0002	22-501-0002
4	Height Controller	22-512-0005	22-512-0006	22-512-0008	22-512-0008
5	Base Cover	22-508-0003	22-508-0001	22-508-0002	22-508-0002
6	Inner Shell Cap	22-505-0006	22-505-0010	22-505-0011	22-505-0008
7	Multi Bracket Assembly	22-504-0002	22-504-0002	22-504-0003	22-504-0003
8	Thermal Switch	22-603-0001	22-603-0010	22-603-0001	22-603-0001
9	Tubing Assembly	22-605-0001	22-605-0001	22-605-0002	22-605-0003
10	Nozzle	22-081-0007	22-081-0014	22-081-0015	22-081-0004
11	Nozzle Nut	22-518-0001	22-518-0002	22-518-0002	22-518-0002
12	Handle	22-511-0004	22-511-0004	22-511-0004	22-511-0004
13	Flange Hex Nut	22-518-0003	22-518-0003	22-518-0003	22-518-0003
14	Fan	22-514-0001	22-514-0001	22-514-0002	22-514-0002
15	Cushion Pad	22-509-0001	22-509-0001	22-509-0001	22-509-0001
16	Motor Assembly	22-061-0015	22-061-0015	22-061-0016	22-061-0016
17	Guard	22-101-0003	22-101-0003	22-101-0004	22-101-0004
18	Round Bolt	22-503-0002	22-503-0002	22-503-0003	22-503-0003
19	Valve Assembly	22-011-0005	22-011-0017	22-011-0018	22-011-0008
20	Inlet Connector	22-507-0003	22-507-0003	22-507-0003	22-507-0003
21	Spark Module	–	22-604-0005	22-604-0005	22-604-0005
22	PCB Assembly	22-521-0001	22-521-0002	22-521-0002	22-521-0002
23	PCB Case	22-506-0001	22-506-0001	22-506-0001	22-506-0001
24	Valve Knob	22-516-0001	22-516-0001	22-516-0001	22-516-0001
25	Power Cord Assembly	22-131-0001	22-131-0001	22-131-0001	22-131-0001
26	Thermal Switch Cable	22-601-0001	22-601-0001	22-601-0001	22-601-0001
27	Hex Nut	22-518-0004	22-518-0004	22-518-0004	22-518-0004
28	Regulator Assembly	22-041-0004	22-041-0004	22-041-0005	22-041-0005

## LIMITED WARRANTY

**Pinnacle Products International, Inc.** warrants this heater to the original retail purchaser only, to be free from defects in material and workmanship for a period of one (1) year from the date of initial purchase. This product must be properly installed, maintained and operated in accordance with the instructions provided.

**Pinnacle Products International, Inc.** requires reasonable proof of your date of purchase from an authorized retailer or distributor. Therefore, you should keep your sales slip, invoice or cancelled check from the original purchase. This Limited Warranty shall be limited to the repair or replacement of parts, which prove defective under normal use and service within the warranty period, and which **Pinnacle Products International, Inc.** shall determine at its reasonable discretion.

This warranty does not apply to products purchased for rental use.

This Limited Warranty does not cover any failures or operating difficulties due to normal wear and tear, accident, abuse, misuse, alteration, misapplication, improper installation or improper maintenance and service by you or any third party. Failure to perform normal and routine maintenance on the heater, shipping damage, damage related to insects, birds or animals of any kind, and damage due to weather conditions are also not covered. In addition, the Limited Warranty does not cover damage to the finish, such as scratches, dents, discoloration, rust or other weather damage, after purchase.

All transportation costs for the return of damaged product or parts will be the responsibility of the purchaser. Upon receipt of damaged item, **Pinnacle Products International, Inc.** will examine the item and determine if defective. **Pinnacle Products International, Inc.** will repair or replace and return the item, freight pre-paid.

If **Pinnacle Products International, Inc.** finds the item to be in normal operating condition, or not defective the item will be returned freight collect. This Limited Warranty is in lieu of all other express warranties. **Pinnacle Products International, Inc.** disclaims all warranties for products that are purchased from sellers other than authorized dealers or distributors.

AFTER THE PERIOD OF THE ONE (1) YEAR EXPRESS WARRANTY EXPIRES, **Pinnacle Products International, Inc.** DISCLAIMS ANY AND ALL IMPLIED WARRANTIES, INCLUDING WITHOUT LIMITATION THE IMPLIED WARRANTIES OF MERCHANTABILITY AND FITNESS FOR A PARTICULAR APPLICATION. FURTHER, **Pinnacle Products International, Inc.** SHALL HAVE NO LIABILITY WHATSOEVER TO PURCHASER OR ANY THIRD PARTY FROM ANY SPECIAL, INDIRECT, PUNITIVE INCIDENTAL, OR CONSEQUENTIAL DAMAGES. **Pinnacle Products International, Inc.** assumes no responsibility for any defects caused by third parties. This Limited Warranty gives the purchaser specific legal rights; a purchaser may have other rights depending upon where he or she lives. Some states do not allow the exclusion or limitation of special, incidental or consequential damages, or limitations on how long a warranty lasts, so the above exclusion and limitations may not apply to you.

**Pinnacle Products International, Inc.** does not authorize any person or company to assume for it any other obligation or liability in connection with the sale, installation, use, removal, return or replacement of its equipment, and no such representations are binding on **Pinnacle Products International, Inc.**

Always be sure to specify the model number and serial number when making any claim with **Pinnacle Products International, Inc.** For your convenience, use the space provided below to list this information.

Register Your Product Online at: [http://www.masterindustrialproducts.com/Product\\_Registration.php](http://www.masterindustrialproducts.com/Product_Registration.php)

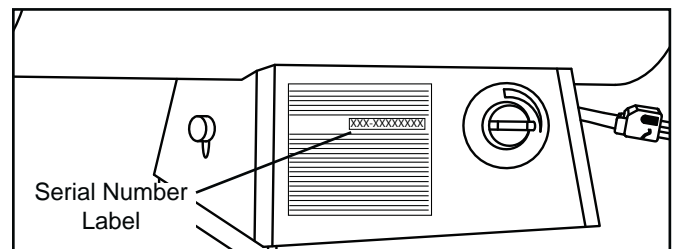
### Locating Your Serial Number:

Your serial number can be found on a white label on the right side cover of your heater. It will begin with the letters "HGF" followed by 8 digits. For Example: HGF12345678. Have your Serial Number ready before calling customer service at 800-641-6996.

Model #: \_\_\_\_\_

Serial #: \_\_\_\_\_

Date of Purchase: \_\_\_\_\_







---

**© 2015 Pinnacle Products International, Inc.  
668 Stony Hill Road #302 Yardley, PA 19067 USA • Toll Free (800)-641-6996  
Fax: (215)-891-8461 • Web: [www.pinnacleint.com](http://www.pinnacleint.com) • Email: [info@pinnacleint.com](mailto:info@pinnacleint.com)**



# MASTER<sup>®</sup>

## Manual del Usuario e Instrucciones de Operación

Modelos No

MH-40-GFA / MH-60V-GFA-A / MH-125V-GFA-A / MH-150V-GFA-A



Factory ID: 001

Actual product features are subject to change due to ongoing improvements

**CONSUMIDOR: GUARDE ESTE MANUAL PARA FUTURAS CONSULTAS**

### **▲ PELIGRO ADVERTENCIA GENERAL DE PELIGRO:**

SI NO CUMPLE CON LAS PRECAUCIONES Y LAS INSTRUCCIONES QUE SE LE PROPORCIONAN CON ESTE CALENTADOR, PUEDE PROVOCAR LA MUERTE, LESIONES CORPORALES GRAVES, Y PÉRDIDA DE LA PROPIEDAD O PELIGRO DE INCENDIO, EXPLOSIÓN O QUEMADURA, ASFIXIA, ENVENENAMIENTO POR MONÓXIDO DE CARBONO, Y/O CHOQUE ELÉCTRICO.

ESTE CALENTADOR SOLAMENTE LO DEBEN USAR O DARLE MANTENIMIENTO LAS PERSONAS QUE PUEDAN COMPRENDER Y SEGUIR LAS INSTRUCCIONES.

SI NECESITA AYUDA O INFORMACIÓN SOBRE EL CALENTADOR, TAL COMO UN MANUAL DE INSTRUCCIONES, ETIQUETAS, ETCÉTERA, PÓNGASE EN CONTACTO CON EL FABRICANTE.

### **▲ ADVERTENCIA**

PELIGRO DE INCENDIO, QUEMADURAS, INHALACIÓN Y EXPLOSIÓN. MANTENGA LOS COMBUSTIBLES SÓLIDOS COMO, POR EJEMPLO, MATERIALES DE CONSTRUCCIÓN, PAPEL Y CARTÓN, A UNA DISTANCIA PRUDENCIAL DEL CALENTADOR SEGÚN LO RECOMIENDAN LAS INSTRUCCIONES. NUNCA USE EL CALENTADOR EN ESPACIOS QUE CONTENGAN O PUEDAN CONTENER COMBUSTIBLES VOLÁTILES O EN SUSPENSIÓN EN EL AIRE NI PRODUCTOS COMO, POR EJEMPLO, GASOLINA, DISOLVENTES, SOLVENTES DE PINTURA, PARTÍCULAS DE POLVO O QUÍMICOS DESCONOCIDOS.

© 2015 Pinnacle Products International, Inc.

668 Stony Hill Road #302 Yardley, PA 19067 USA • Toll Free (800)-641-6996

Fax: (215)-891-8461 • Web: [www.masterindustrialproducts.com](http://www.masterindustrialproducts.com) • Email: [info@pinnacleint.com](mailto:info@pinnacleint.com)





**NUNCA DEJE DESATENDIDO EL CALENTADOR MIENTRAS ÉSTE ESTÉ ENCENDIDO, CONECTADO A UNA FUENTE DE ALIMENTACIÓN, O MIENTRAS ESTÉ CONECTADO A UNA FUENTE DE COMBUSTIBLE.**

## Tabla de Contenidos

Información sobre seguridad.....	1-3	Diagramas Eléctricos.....	9
Características y Especificaciones.....	4	Guía de Solución de Problemas.....	10
Operación.....	5-7	Dibujo de Despiece de Piezas.....	11
Ventilación.....	8	Lista de Recambios .....	12
Mantenimiento.....	8	Garantía.....	13

## Información Sobre Seguridad

**▲ ADVERTENCIA** NO DEBE USARSE EN CASAS, VEHÍCULOS DE USO RECREATIVO NI TIENDAS.

**▲ PELIGRO** **Riesgo de inhalación de monóxido de carbono** Este calentador produce monóxido de carbono, que es un gas inodoro. Encender el calentador en un espacio cerrado puede ocasionarle la muerte. Nunca use el calentador en espacios cerrados como, por ejemplo, tiendas, remolques, cualquier tipo de vehículo (entre ellos, vehículos de uso recreativo), recintos cerrados

**▲ PELIGRO** Si la información contenida en este manual no se sigue exactamente, un incendio o una explosión puede causar daños materiales, lesiones personales o pérdida de la vida.

**▲ PELIGRO** No debe utilizarse en áreas residenciales ni en espacios cerrados con mala ventilación. Nunca ingrese o almacene un cilindro de propano en espacios interiores.

**▲ ADVERTENCIA** **NO OPERE ESTE CALENTADOR HASTA HABER LEÍDO Y COMPRENDIDO A PROFUNDIDAD ESTAS INSTRUCCIONES DE SEGURIDAD Y OPERACIÓN.**  
El no cumplir con las precauciones e instrucciones provistas con este calentador puede resultar en muerte, lesiones serias, pérdida de propiedad, daños por fuego, producción de hollín, explosiones, quemaduras, asfixia o envenenamiento por monóxido de carbono. Solamente personas que puedan leer y comprender estas instrucciones deben usar o realizar servicio a este calentador.

**▲ ADVERTENCIA** Éste es un calentador portátil sin ventilación. La unidad utiliza el aire (oxígeno) del espacio donde se usa. Será necesario suministrar suficiente aire para la combustión y ventilación. Consultar VENTILACIÓN, página 8.

**▲ ADVERTENCIA** **RESIDENTES DE CALIFORNIA:** Este producto contiene sustancias químicas, incluyendo plomo, conocido en el estado de California para causar defectos de nacimiento u otros daños reproductivos. **Láverse las manos después de manipular.**

Este calentador ha sido diseñado para uso en construcciones de acuerdo con la normas ANSI Z83.7-2011/CSA 2.14-2011. CONSULTE CON LAS AUTORIDADES DE SEGURIDAD DE INCENDIOS DE SU LOCALIDAD SI TIENE ALGUNA DUDA SOBRE EL USO DE ESTE CALENTADOR. Otras normas rigen el uso de gases combustibles y productos de calefacción para usos específicos. Sus autoridades locales pueden asesorarle sobre esas normas.



**NUNCA DEJE DESATENDIDO EL CALENTADOR MIENTRAS ÉSTE ESTÉ ENCENDIDO, CONECTADO A UNA FUENTE DE ALIMENTACIÓN, O MIENTRAS ESTÉ CONECTADO A UNA FUENTE DE COMBUSTIBLE.**

## Información Sobre Seguridad

### ⚠️ ADVERTENCIA ¡RIESGO DE CONTAMINACIÓN DEL AIRE INTERIOOR!

Los productos descritos en este manual son calentadores de aire forzado e impulsados directamente a kerosén. Los calentadores de aire forzado a kerosén están pensados principalmente para calentamiento temporal de edificios en construcción, alteración o reparación. Impulsados directamente significan que todos los productos de combustión del calentador ingresan en el espacio calentado. Este dispositivo está clasificado para que tenga 98% de eficiencia de combustión pero produce pequeñas cantidades de monóxido de carbono.

### ⚠️ PELIGRO ¡LA INTOXICACIÓN POR MONÓXIDO DE CARBONO PUEDE LA MUERTE!

El monóxido de carbono es tóxico. Los humanos pueden tolerar pequeñas cantidades de monóxido de carbono, y por tanto, deben tomarse las medidas de precaución necesarias para suministrar una ventilación adecuada. No proporcionar la ventilación adecuada de acuerdo con este manual puede ocasionar la muerte. Las personas con problemas respiratorios deberían consultar con un médico antes de usar el calentador.

Los primeros síntomas de envenenamiento a causa del monóxido de carbono se parecen a los de la gripe. Los síntomas de ventilación inadecuada o envenenamiento por monóxido de carbono son:

**Dolor de Cabeza • Mareo • Náusea  
Boca Seca • Irritación de la Nariz y los Ojos  
Irritación de la Garganta**

Si tiene alguno de estos síntomas:

¡SALGA AL AIRE LIBRE DE INMEDIATO! Haga revisar a su calentador para comprobar que la ventilación es la adecuada. Algunas personas se ven más afectadas que otras por el monóxido de carbono. Por ejemplo: mujeres embarazadas, personas con problemas pulmonares o cardíacos, anemia o bajo influencia del alcohol o en grandes altitudes.

¡PARA USO EN EXTERIORES. EL USO EN INTERIORES SÓLO SE PERMITE PARA: La calefacción temporal de edificios adecuadamente ventilados o estructuras en construcción, modificación o reparación! Proporcione una abertura de al menos tres pies cuadrados (2800 cm cuadrados) al aire exterior por cada 100.000 Btu/h que genere el calentador. Consulte "Ventilación" en la página 8 para obtener más instrucciones.

### ⚠️ PELIGRO ¡EL PROPANO ES UN GAS EXPLOSIVO!

#### QUÉ HACER SI SIENTE OLOR A GAS:

- No trate de encender el calentador.
- Apague toda clase de llama viva.
- Cierre el suministro de gas del calentador.
- Si continúa el olor, póngase en contacto con la empresa de gas o el cuerpo de bomberos de su localidad.
- No tocar ni utilizar el interruptor de electricidad ni ningún dispositivo eléctrico que pudiera causar una chispa..
- Llame inmediatamente a la empresa de gas desde el teléfono de un vecino. Siga las instrucciones de la empresa de gas.
- Si no puede comunicarse con la empresa de gas, llame al cuerpo de bomberos.
- Sólo técnicos cualificados o la empresa de gas pueden hacer la reparación.

### ⚠️ ADVERTENCIA ¡RIESGO DE QUEMADURAS, INCENDIO Y/O EXPLOSIÓN!

NUNCA No guarde ni utilice gasolina u otros gases y líquidos inflamables cerca de este o cualquier otro artefacto.

NUNCA almacenar cilindros de propano (PL) que no se encuentren conectado a este radiador en los alrededores de éste.

NUNCA conecte el calentador en una fuente de gas no regulada.

NUNCA obstruir el flujo del aire de combustión y ventilación (parte delantera y trasera del calentador).

NUNCA use el funcionamiento de ducto en la parte frontal o posterior del calentador.

NUNCA modifique el calentador ni utilice un calentador que haya sido modificado.

NUNCA repare ni le dé mantenimiento al calentador mientras está caliente o funcionando.

### ⚠️ ADVERTENCIA ¡PRECAUCIÓN! CALIENTE MIENTRAS ESTÉ EN FUNCIONAMIENTO. NO TOQUE. MANTENGA A NIÑOS, ANIMALES, ROPA Y COMBUSTIBLES LEJOS DEL CALENTADOR.

Mantenga todos los materiales combustibles lejos de este calentador.

Separación Mínima Entre el Calentador y Materiales Combustibles			
Lados	Superior	Frente	Trasero
24 in.	36 in.	72 in.	24 in.

## Información Sobre Seguridad

**▲ ADVERTENCIA ¡PELIGRO DE ELECTROCUCIÓN!**

**▲ ADVERTENCIA** Instrucciones de conexión eléctrica a tierra Este dispositivo se encuentra equipado con un enchufe de tres puntas (conexión a tierra) para protegerlo de descargas eléctricas, y se debe conectar directamente a un enchufe de pared de tres entradas que se encuentre debidamente instalado.

SIEMPRE use solamente la energía eléctrica (voltaje y frecuencia) especificada en la placa de modelo del calentador.

SIEMPRE use solamente cable de extensión 14 AWG o superior.

SIEMPRE desenchufe el calentador cuando no se usa.

SIEMPRE instale el calentador para que no esté expuesto directamente a rocío de agua, lluvia, goteras o viento.

**▲ ADVERTENCIA Para Uso con Gas LP (propano) Únicamente**

Use el calentador de acuerdo con todos los códigos locales. En ausencia de códigos locales, consulte el Código Nacional de Combustibles, ANSI Z223.1.

- **Este calentador se envía de la fábrica para uso con gas LP (propano) únicamente.** No lo convierta a ningún otro gas. La instalación deberá conformar con los códigos locales, o a falta de ellos, con la norma para el almacenamiento y

**▲ ADVERTENCIA** El conjunto de la manguera debe estar protegido contra el tráfico, materiales de construcción y el contacto con superficies calientes tanto durante el uso como durante el almacenamiento.

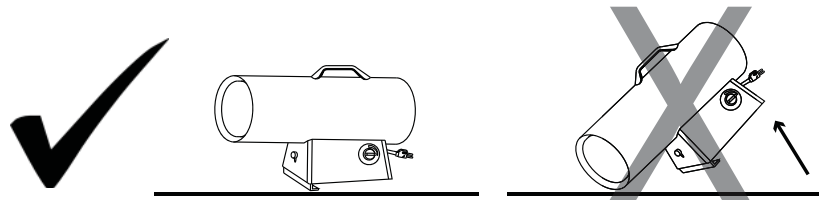
la manipulación de gases de petróleo licuado ANSI/NFPA 58, y el gas natural y el Código de Instalación de gas propano, CSA B149.1.

- Las conexiones de suministro de gas deben revisarse usando una solución de 50/50 de agua y jabón. Nunca use una llama para verificar la presencia de fugas de gas.
- Sitúe el cilindro de propano al menos a 1.8 metros del calentador (3.1 metros en Canadá), y no oriente la descarga del calentador hacia el cilindro de gas a menos que éste se encuentre a una distancia de 6 metros del calentador.
- Utilice únicamente el conjunto de regulador y manguera suministrado con este calentador. Inspeccione el conjunto del regulador y manguera antes de cada uso del calentador. Si está demasiado desgastado, o si la manguera está cortada, reemplace el conjunto con el conjunto correcto mostrado en la lista de partes, antes de usar el calentador.

Presión de Gas				
	MH-40	MH-60V	MH-125V	MH-150V
Min.	34.5 kPa (5 PSI)			
Max.	Presion de la botella			

**▲ ADVERTENCIA ¡RIESGO DE INCENDIO! NO POSICIONAR EL RADIADOR INCLINADO HACIA ABAJO. ¡COLOCARLO SIEMPRE SOBRE UNA SUPERFICIE ESTABLE Y PLANA!**

Figura 1



### Desempaque

1. Retire todos los materiales de embalaje aplicados al calentador para su envío. Mantenga montadas las tapas de plástico en el conector de entrada y en el conjunto del regulador y manguera cuando almacene la unidad.
2. Retire todos los artículos de la caja de envío
3. Inspeccione los artículos para comprobar que no se hayan dañado durante el envío. Si el

calentador está dañado, infórmele prontamente al concesionario de quien compró el calentador sobre dicho daño.

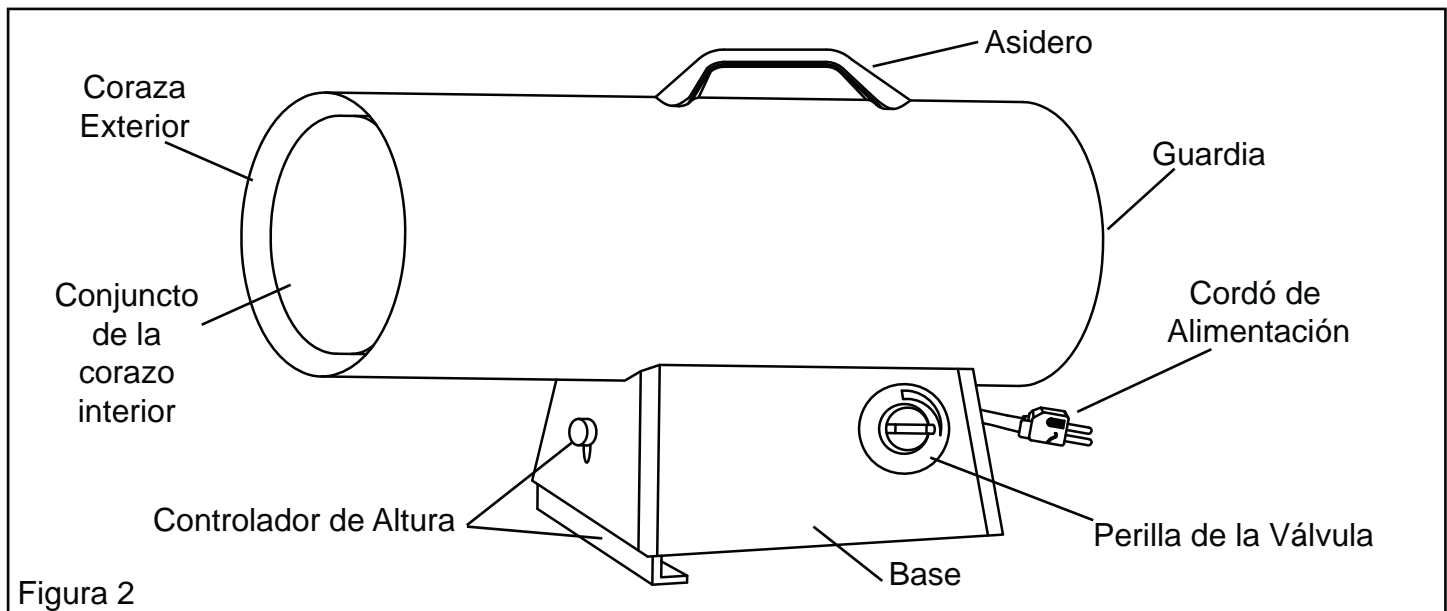
**▲ PRECAUCION** El conjunto de la manguera y el regulador de presión del gas Propano (LP) suministrado con este calentador debe utilizarse sin hacerle ninguna alteración

## Especificaciones

Modelos #	MH-40-GFA	MH-60V-GFA-A	MH-125V-GFA-A	MH-150V-GFA-A
BTU	40,000	40/50/60,000	95/110/125,000	120/135/150,000
Consumo de Combustible (Lbs./hr)	1.9	1.9 / 2.3 / 2.8	4.4 / 5.1 / 5.8	5.5 / 6.2 / 6.9
Horas Máximas de Funcionamiento	11	10.5	22.7	18
Requerido Lbs Cilindro.	20	20	100	100
Tipo de Combustible	Propano	Propano	Propano	Propano
Zona Calentada (Ft. <sup>2</sup> )	1,000	1,500	3,125	3,800
Flujo de Aire (CFM)	300	300	400	400
Temperatura de Salida Máximo(°F)	477	491	500	622
Voltaje: AC/Hz	120V / 60Hz	120V / 60Hz	120V / 60Hz	120V / 60Hz
Amperaje	0.6 A	0.6 A	0.8 A	0.8 A

Las especificaciones están sujetas a cambios sin previo aviso.

## Características



**¿Faltan partes? Llame al 800-641-6996 para recibir asistencia**



**NUNCA DEJE DESATENDIDO EL CALENTADOR MIENTRAS ÉSTE ESTÉ ENCENDIDO, CONECTADO A UNA FUENTE DE ALIMENTACIÓN, O MIENTRAS ESTÉ CONECTADO A UNA FUENTE DE COMBUSTIBLE.**

## Operación

### Información sobre el Propano:

#### Propano (PL)

Este calentador no se entrega con cilindro de propano. Usar únicamente un cilindro de propano aprobado.

#### Características del PL

- Inflamable, explosivo bajo presión, más pesado que el aire y se acumula en niveles bajos.
- En su estado natural, el propano es inodoro pero, por seguridad, se le añade un odorizante que huele a repollo podrido.
- El contacto del gas de PL con la piel puede producirle quemaduras de congelación.
- El calentador se ha fabricado para usarse sólo con gas de PL. NO trate de hacerle modificaciones que permitan usarlo con otro gas. Estas modificaciones son peligrosas y anulan su garantía.
- Cuando no se use el calentador, debe cerrarse el suministro de PL.
- Asegurarse de que el cilindro OL se encuentre en una superficie estable y plana.
- NO utilice este calentador en un sótano o por debajo del nivel del suelo. Propano (LP) es más pesado que el aire, y siempre buscar el nivel más bajo. Si usted sospecha de una fuga, cierre la válvula en el tanque de gas inmediatamente.

#### El tanque de gas propano (LP) también deberá estar equipado con lo siguiente

- Un collar para proteger la válvula de gas.
- Una válvula de cierre conectada en la salida de la válvula del cilindro o tanque de gas propano según la especificación de la Norma Nacional Americana para la conexión de entradas y salidas de válvulas de cilindros de gas comprimido.
- Una válvula de alivio de seguridad con comunicación directa con el espacio de vapor del tanque.
- Una forma para retirar o sacar el vapor.

- La cantidad de gas de PL que utiliza este calentador varía, y está determinada por estos factores
- La cantidad de gas contenido en el cilindro de PL.
- La temperatura del cilindro de PL y del área circundante.

Temp Media (°F)	40-GFA 20 / 100 lb. cilindro	60V-GFA-A 20 / 100 lb. cilindro	125V-GFA-A 20 / 100 lb. cilindro	150V-GFA-A 20 / 100 lb. cilindro
32°	1	1	2	2
20°	1	1	2	2
10°	1	1	3	3
0°	1	1	3	3
-10°	2	2	Utilizar un Tanque Más Grande	
-20°	2	2		

La tabla anterior muestra la cantidad mínima de cilindros de PL de 100 libras que se requieren en clima frío. Su distribuidor de PL local lo ayudará a elegir el sistema de suministro de PL apropiado.

**⚠ PRECAUCIÓN** El propano es seguro para usar cuando se manipula correctamente. La manipulación negligente del tanque de gas propano podría resultar en un incendio y/o una explosión. Por consiguiente

- Siempre mantenga firmemente sujetado y en posición vertical el tanque o cilindro.
- Evite inclinar el tanque hacia un lado cuando esté conectado a un regulador, ya que eso podría causar daño al diafragma en el regulador.
- Trate las válvulas con cuidado.
- Nunca conecte un tanque de propano no regulado en un calentador para construcción.
- No someta el tanque de propano a un calor excesivo.
- Cierre firmemente la válvula de cierre de gas en el tanque de propano después de cada uso.
- Todos los accesorios deben protegerse cuando están desconectados del tanque de LP.
- Nunca almacene un tanque de gas propano dentro de un edificio o cerca de cualquier aparato que queme gas.

**⚠ PRECAUCIÓN** El tanque desconectado nunca debe almacenarse en un edificio, garaje o cualquier otra área cerrada.

## Operación

### De Encendido Instrucciones Previa:

#### Relleno del Tanque de Gas Propano

**▲ ADVERTENCIA** Las acciones de purga y llenado de los tanques de LP deben ser realizadas por personal que esté completamente capacitado en los procedimientos aceptados de la industria de gas LP. El incumplimiento de estas instrucciones podría resultar en explosión, incendio, lesiones personales graves o la muerte.

#### TODO CILINDRO NUEVO DEBE PURGARSE ANTES DE LLENARLO POR PRIMERA VEZ.

- Gire la perilla de la válvula de gas del calentador y la válvula del tanque de gas a la posición OFF (apagado).
- Las válvulas de tanque de propano equipadas con un accesorio de estilo antiguo tienen ROSCAS DE MANO IZQUIERDA. Gire el accesorio HACIA LA DERECHA para aflojarlo. Proteja este accesorio cuando esté desconectado del tanque.
- Haga que su distribuidor de gas propano le llene su tanque.
- Algunos tanques de propano tienen una válvula de purga. Esta válvula deberá inspeccionarse para ver si tiene fugas después de cada vez que se llene el tanque. Gire la válvula hacia la derecha para cerrarla.
- Sujete el tanque de propano lleno y conecte

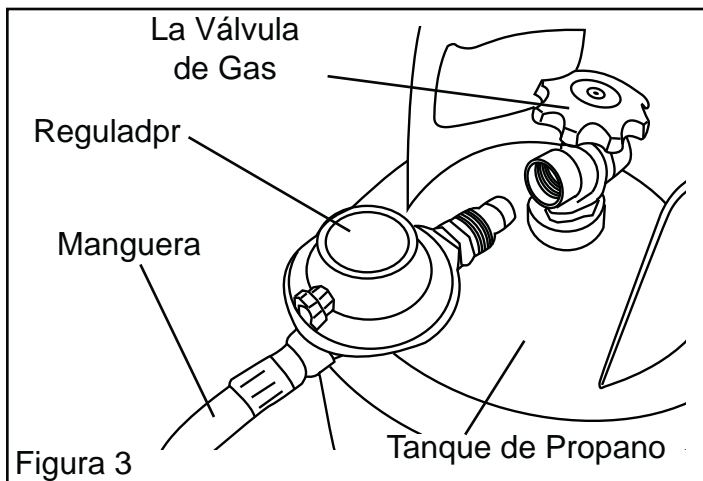


Figura 3

- el accesorio adecuado en la válvula del tanque, girándolo HACIA LA IZQUIERDA.
- Con la perilla de la válvula de gas del calentador en la posición OFF (apagado), abra la válvula del tanque y revise para ver si hay fugas usando una solución de jabón.

#### Inspección de Fugas

- Para verificar si existen fugas, prepare una solución mitad detergente para vajilla y mitad agua. Aplique esta solución en todas las conexiones de gas. Si aparecen burbujas, existe una fuga. Si se encuentra una fuga, cierre el suministro de gas y vuelva a conectar la conexión que presentaba la fuga. Si aún persiste la fuga luego de varios intentos, contacte al servicio de atención al cliente de Pinnacle al (800)-641-6996.
- La instalación de su calentador deberá cumplir con todos los códigos locales y/o requisitos de la compañía de servicio de gas, o a falta de códigos locales, con el Código Nacional de Combustibles ANSI Z223.1.
- Las distancias mínimas de separación de materiales de construcción combustibles mostradas en la Página 2 deberán mantenerse en todo momento.
- Examine el radiador antes de cada uso, y al menos una vez por año por un técnico calificado.

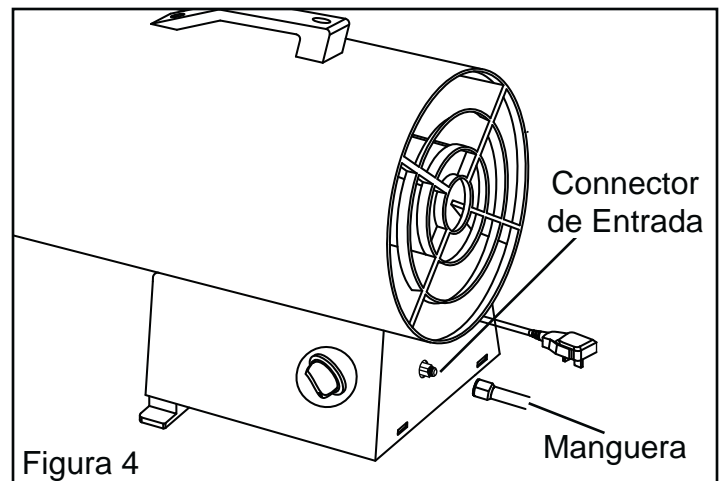


Figura 4

## Operación

### Instrucciones de Encendido:

#### Encendido del calentador (Ignición)

1. Conecte el calentador a una fuente de energía con tres conexiones (con conexión a tierra). Debe usar un cable de extensión con tres conexiones (conectado a tierra) que tenga al menos 6 pies de largo y sea de calidad mínima de 14 AWG.
2. Conecte el calentador a un cilindro LP adecuado.
3. Gire la válvula de gas hacia la derecha a la posición OFF (apagado).
4. Espere cinco (5) minutos para que el gas presente se disipe. Use el olfato para oler gas; si no huele gas, proceda al Paso 5.
5. Empuje hacia adentro la perilla de control del gas y gírela hacia la izquierda a la posición 1. Esto encenderá el quemador. Si es necesario, mantenga presionada la perilla de control del gas hasta que el quemador se encienda y continúe presionando y girando de OFF a 1 en los modelos de chispa piezoeléctrica (1 en el Modelo 40-GFA)
6. Mantenga la perilla de la válvula presionada por espacio de 30 segundos luego de que se encienda el quemador. Luego de transcurridos 30 segundos, suelte la perilla de la válvula.
7. Si el quemador se apaga, repita el procedimiento de encendido.

8. Cuando el quemador permanezca encendido, gire la perilla de la válvula de gas hacia la izquierda hasta el ajuste deseado (todos los modelos, excepto el 40-GFA).

#### **Instrucciones de Apagado**

Para apagar el calentador:

1. Gire la perilla de la válvula de gas hacia la derecha a la posición OFF (O). (Vea Figura 5)
2. Gire hacia la derecha la válvula del tanque de propano para cerrar la válvula y cortar el suministro de gas.
3. Desconecte el cordón de alimentación eléctrica.

#### **Intente Encender el Calentador**

Intente encender su calentador para construcción de acuerdo con las instrucciones de encendido aplicables al sistema de control de gas empleado.

Someta todas las conexiones de gas a una prueba de fugas con una solución de 50/50 de agua y jabón antes de encender el calentador. Las burbujas de jabón indican que hay una fuga de gas. NUNCA use un fósforo o una llama para comprobar si hay fugas.

**REMARQUE: La temperatura de la superficie del calentador deberá estar fría antes de almacenar el calentador o iniciar el mantenimiento o la limpieza del mismo.**

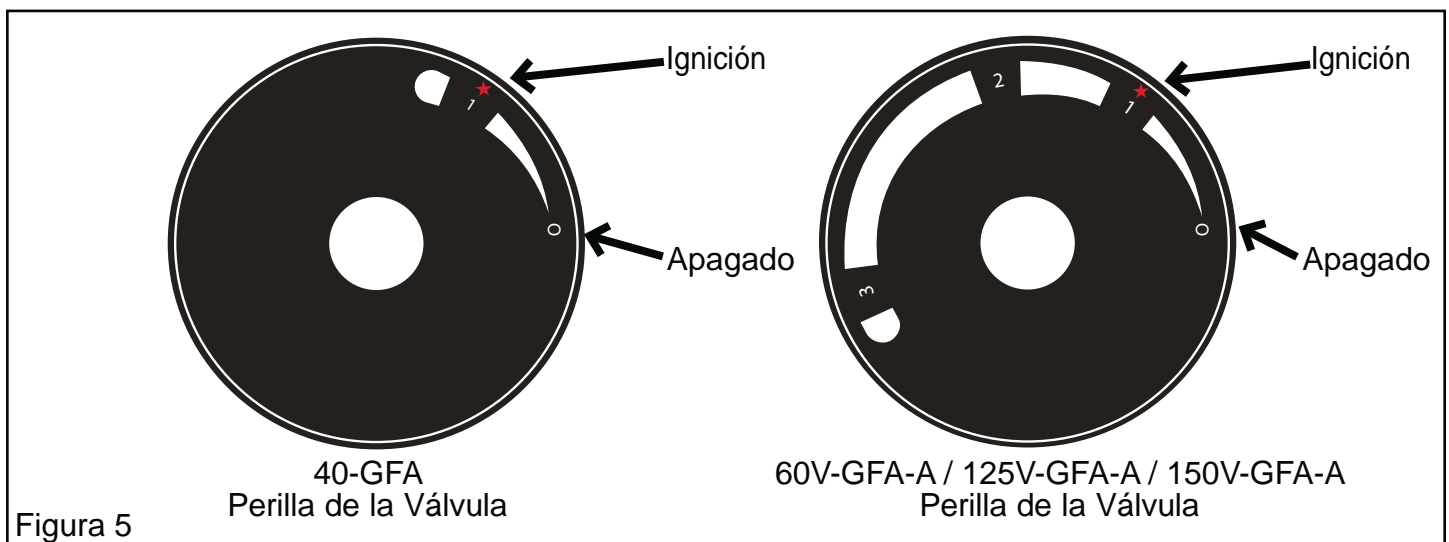


Figura 5





**NUNCA DEJE DESATENDIDO EL CALENTADOR MIENTRAS ÉSTE ESTÉ ENCENDIDO, CONECTADO A UNA FUENTE DE ALIMENTACIÓN, O MIENTRAS ESTÉ CONECTADO A UNA FUENTE DE COMBUSTIBLE.**

## Ventilación

**▲ PELIGRO ¡LA INTOXICACIÓN POR MONÓXIDO DE CARBONO PUEDE LA MUERTE!**

- **Riesgo de contaminación del aire interior. Utilice el calentador sólo en áreas bien ventiladas.**
- **Consulte la Información de seguridad en las páginas 1 y 2 para buscar información acerca del envenenamiento por monóxido de carbono.**
- **SIEMPRE** En el espacio que busca calentar, proporcione una entrada de aire fresco de al menos 2,800 cm<sup>2</sup> (3 pies<sup>2</sup>) por cada 100,000 Btu/h de salida del calentador. Proporcione una abertura más grande si se utilizan más calentadores.

<b>Ventilación Mínima Necesaria</b>			
40-GFA	60V-GFA-A	125V-GFA-A	150V-GFA-A
1.2 ft. <sup>2</sup>	1.8 ft. <sup>2</sup>	3.8 ft. <sup>2</sup>	4.5 ft. <sup>2</sup>
1110 cm <sup>2</sup>	1670 cm <sup>2</sup>	3530 cm <sup>2</sup>	4180 cm <sup>2</sup>

**▲ PELIGRO** No debe utilizarse en áreas residenciales ni en espacios cerrados con mala ventilación

## Almacenamiento / Mantenimiento

Nunca almacene un tanque de gas propano dentro de un edificio o cerca de cualquier aparato que queme gas o aceite. Cuando el tanque de propano no se desconecta del calentador para uso en tareas de construcción, el tanque de gas y el calentador deben almacenarse afuera en un área bien ventilada y fuera del alcance de los niños. Si por cualquier razón ha de almacenarse el calentador en un lugar interior, el tanque, primero se debe desconectar y desmontar del conjunto de la base del calentador y almacenar en un área exterior bien ventilada y fuera del alcance de los niños, de acuerdo con la más reciente edición de la Norma para el almacenamiento y la manipulación de gases de petróleo ANSI/NFPA 58y el gas natural y el Código de Instalación de

gas propano, CSA B149.1. El tapón de plástico de la válvula del tanque suministrado con su tanque deberá estar firmemente instalado cuando el tanque esté desconectado del calentador.

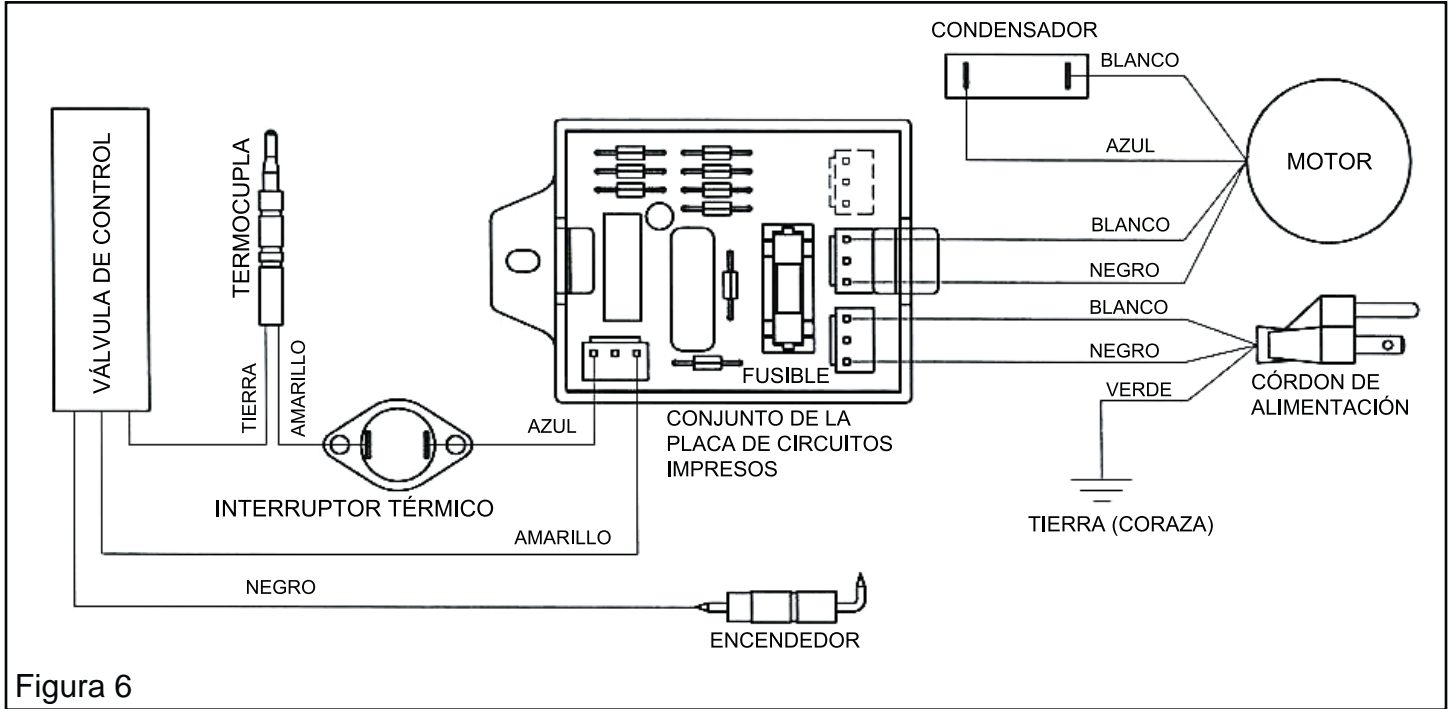
**▲ PELIGRO** Nunca guarde cilindros de PL en el interior de edificaciones ni cerca de aparatos que quemen gas o aceite.

**AVISO: Todo trabajo de instalación y reparación deberá ser realizado por un técnico de servicio calificado.**

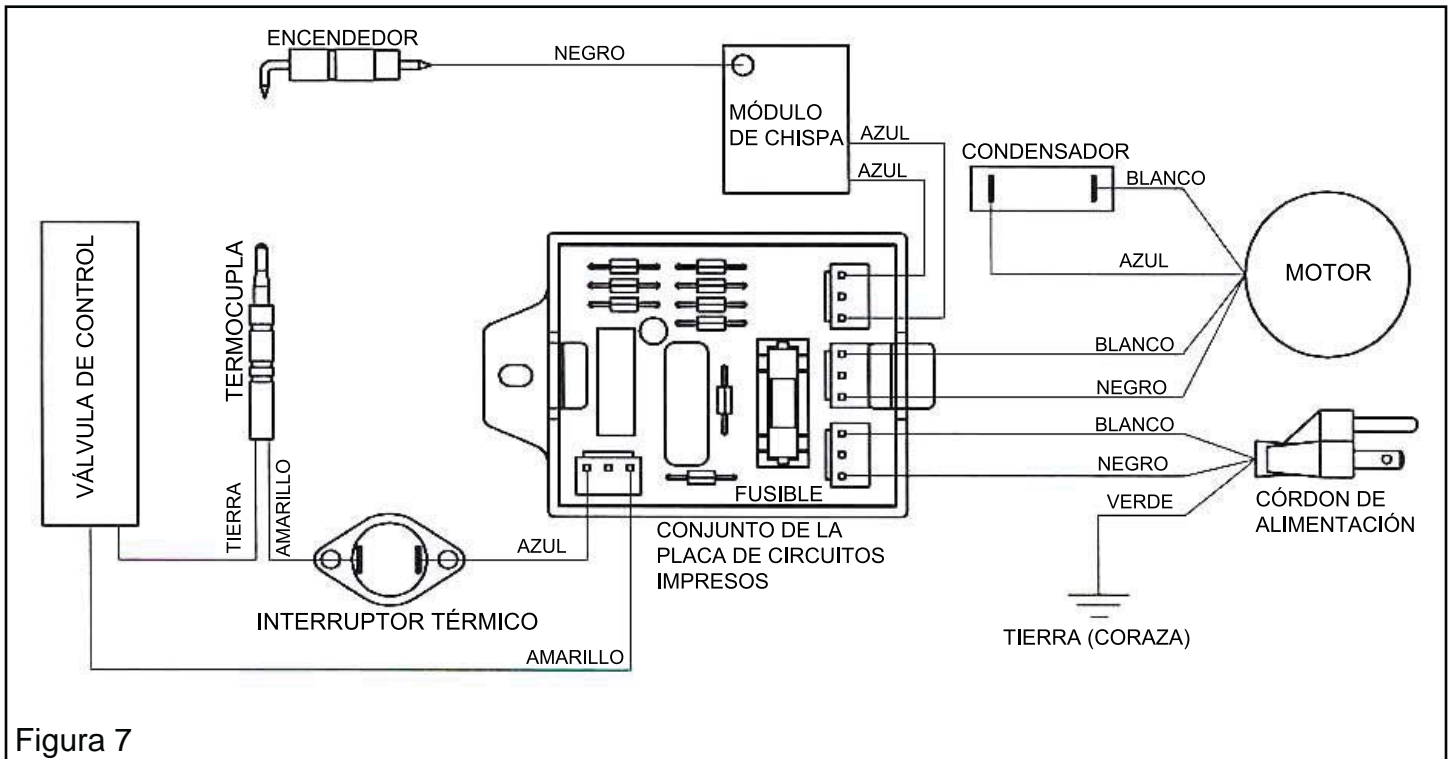
**SIEMPRE** asegúrese de seguir los procedimientos de mantenimiento adecuados. Esto debe incluir la limpieza del interior del calentador de cada mes. Reajuste la separación de las terminales (o electrodos) a 4 mm (0.160 pulg)

## Diagramas Eléctricos

### 40-GFA



### 60V-GFA-A / 125V-GFA-A / 150V-GFA-A





**NUNCA DEJE DESATENDIDO EL CALENTADOR MIENTRAS ÉSTE ESTÉ ENCENDIDO, CONECTADO A UNA FUENTE DE ALIMENTACIÓN, O MIENTRAS ESTÉ CONECTADO A UNA FUENTE DE COMBUSTIBLE.**

## Guía de Solución de Problemas

### Ubicación del Serial:

El serial se puede encontrar en una etiqueta blanca en el lado derecho de la cobertura de su calentador. Comenzará con , las letras “HGF” seguida por 8 dígitos. Por ejemplo: HGF12345678. Busque el serial antes de llamar a servicio al cliente al teléfono 800-641-6996.

<b>Problema</b>	<b>Possible Cause(s)</b>	<b>Solution</b>
El ventilador no gira cuando se le conecta la energía eléctrica	<ol style="list-style-type: none"> <li>1. El calentador no recibe alimentación eléctrica.</li> <li>2. El aspa del ventilador hace contacto con la parte interior del alojamiento del calentador.</li> <li>3. El aspa(s) del ventilador está doblada.</li> <li>4. El motor del ventilador está defectuoso.</li> </ol>	<ol style="list-style-type: none"> <li>1. Verifique la corriente en el tomacorriente. Si el voltaje es correcto, inspeccione el cordón de alimentación para ver si está cortado o está roto.</li> <li>2. Asegúrese que el alojamiento no esté dañado. Asegúrese que el ventilador no esté obstruido.</li> <li>3. Asegúrese que el alojamiento no esté dañado. Asegúrese que el ventilador no esté obstruido.</li> <li>4. Reemplace el motor.</li> </ol>
El calentador no se enciende	<ol style="list-style-type: none"> <li>1. No hay chipsa en el encendedor.</li> <li>2. Separación de chipsa incorrecta.</li> <li>3. Electrado dañado.</li> </ol>	<ol style="list-style-type: none"> <li>1. Inspeccione el conductor del encendedor. Reconéctelo o apriételo si está suelto. Revise el módulo de chispa. Reemplace según sea necesario. Revise todos los componentes eléctricos.</li> <li>2. Ajuste la separación a 0.16” (4 mm).</li> <li>3. Reemplace la bujía.</li> </ol>
El calentador se apaga cuando está funcionando	<ol style="list-style-type: none"> <li>1. La temperatura interior es demasiado alta y causa que el interruptor limitador apague la unidad.</li> <li>2. Válvula de control dañada.</li> <li>3. Hay polvo o restos de material acumulados dentro del calentador.</li> </ol>	<ol style="list-style-type: none"> <li>1. Si se restringe la salida del calentador, la temperatura interior sube demasiado. Mueva el calentador lejos de toda obstrucción.</li> <li>2. Reemplace la válvula de control.</li> <li>3. Limpie el interior del calentador.</li> </ol>

## Dibujo de Despiece de Piezas

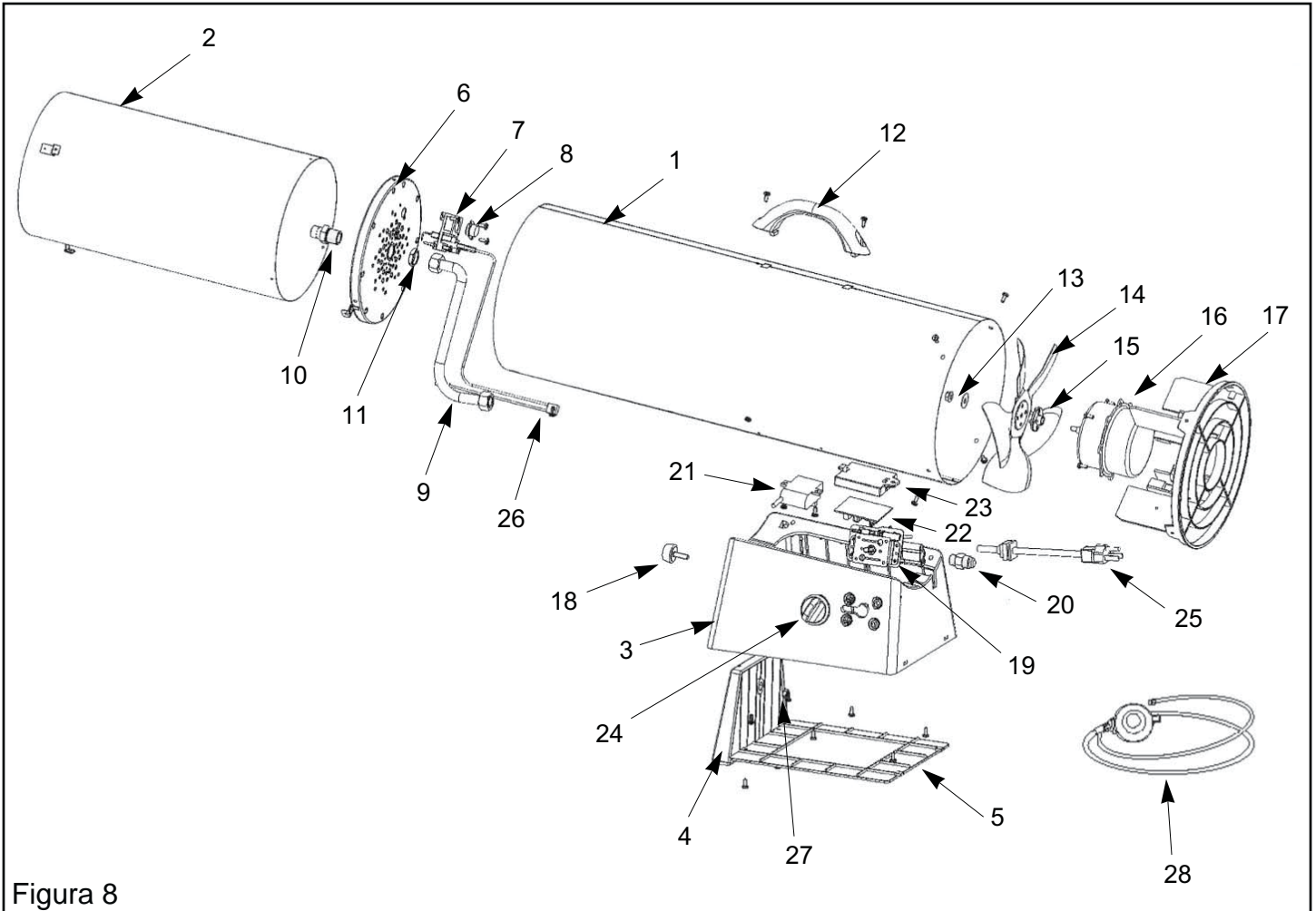


Figura 8



**NUNCA DEJE DESATENDIDO EL CALENTADOR MIENTRAS ÉSTE ESTÉ ENCENDIDO, CONECTADO A UNA FUENTE DE ALIMENTACIÓN, O MIENTRAS ESTÉ CONECTADO A UNA FUENTE DE COMBUSTIBLE.**

## Lista de Recambios

Item #	Description	MH-40-GFA	MH-60V-GFA-A	MH-125V-GFA-A	MH-150V-GFA-A
1	Coraza exterior	22-524-0075	22-524-0076	22-524-0077	22-524-0077
2	Conjunto de la coraza interior	22-524-0004	22-524-0004	22-524-0005	22-524-0005
3	Base	22-501-0003	22-501-0001	22-501-0002	22-501-0002
4	Controlador de altura	22-512-0005	22-512-0006	22-512-0008	22-512-0008
5	Cubierta de la base	22-508-0003	22-508-0001	22-508-0002	22-508-0002
6	Tapa de la coraza interior	22-505-0006	22-505-0010	22-505-0011	22-505-0008
7	Conjunto de soportes múltiples	22-504-0002	22-504-0002	22-504-0003	22-504-0003
8	Interruptor térmico	22-603-0001	22-603-0010	22-603-0001	22-603-0001
9	Conjunto de tuberías	22-605-0001	22-605-0001	22-605-0002	22-605-0003
10	Boquilla	22-081-0007	22-081-0014	22-081-0015	22-081-0004
11	Tuerca de la boquilla	22-518-0001	22-518-0002	22-518-0002	22-518-0002
12	Asidero	22-511-0004	22-511-0004	22-511-0004	22-511-0004
13	Tuerca hexagonal de pestaña	22-518-0003	22-518-0003	22-518-0003	22-518-0003
14	Ventilador	22-514-0001	22-514-0001	22-514-0002	22-514-0002
15	Bloque de cojín	22-509-0001	22-509-0001	22-509-0001	22-509-0001
16	Conjunto del motor	22-061-0015	22-061-0015	22-061-0016	22-061-0016
17	Protección	22-101-0003	22-101-0003	22-101-0004	22-101-0004
18	Perno redondo	22-503-0002	22-503-0002	22-503-0003	22-503-0003
19	Conjunto de la válvula	22-011-0005	22-011-0017	22-011-0018	22-011-0008
20	Conector de entrada	22-507-0003	22-507-0003	22-507-0003	22-507-0003
21	Módulo de chispa	–	22-604-0005	22-604-0005	22-604-0005
22	Conjunto de la placa de circuitos impresos	22-521-0001	22-521-0002	22-521-0002	22-521-0002
23	Caja de la placa de circuitos impresos	22-506-0001	22-506-0001	22-506-0001	22-506-0001
24	Perilla de la válvula	22-516-0001	22-516-0001	22-516-0001	22-516-0001
25	Conjunto del cordón de alimentación	22-131-0001	22-131-0001	22-131-0001	22-131-0001
26	Cable del interruptor térmico	22-601-0001	22-601-0001	22-601-0001	22-601-0001
27	Tuerca hexagonal	22-518-0004	22-518-0004	22-518-0004	22-518-0004
28	Conjunto del regulador	22-041-0004	22-041-0004	22-041-0005	22-041-0005



**NUNCA DEJE DESATENDIDO EL CALENTADOR MIENTRAS ÉSTE ESTÉ ENCENDIDO, CONECTADO A UNA FUENTE DE ALIMENTACIÓN, O MIENTRAS ESTÉ CONECTADO A UNA FUENTE DE COMBUSTIBLE.**

## GARANTÍA LIMITADA

**Pinnacle Products International, Inc.** le garantiza exclusivamente al comprador minorista original de este calentador que no tendrá defectos de material ni mano de obra por un período de un (1) año a partir de la fecha de compra original. Este producto debe instalarse, mantenerse y operarse correctamente de acuerdo con las instrucciones suministradas.

**Pinnacle Products International, Inc.** requiere una prueba razonable de su fecha de compra de un minorista o distribuidor autorizado. Por lo tanto, usted debe guardar su recibo de compra, factura o el cheque canjeado de la compra original. Esta Garantía limitada se limita a la reparación o el reemplazo de piezas que se comprueben defectuosas en condiciones normales de uso y mantenimiento dentro del período de garantía, y que **Pinnacle Products International, Inc.** así determine a su discreción razonable.

Esta garantía no se aplica a los productos adquiridos para usar en alquiler.

Esta Garantía limitada no cubre ningún fallo ni dificultad de funcionamiento debido a un desgaste normal, accidente, abuso, mal uso, alteración, aplicación incorrecta, instalación incorrecta o un mantenimiento y servicio inadecuados realizados por usted o cualesquiera terceros. Asimismo, la garantía no cubre el incumplimiento de las revisiones de mantenimiento normales y regulares del calentador, los daños sufridos durante el transporte, los daños relacionados con insectos, aves o animales de cualquier tipo, y los daños consecuencia de las condiciones atmosféricas. Adicionalmente, la Garantía limitada no cubre daños del acabado, como ralladuras, abolladuras, cambios de color, oxidación u otros daños ocasionados por las condiciones atmosféricas después de la compra.

El comprador será responsable de todos los gastos de transportación para la devolución del producto dañado o piezas dañadas. Al recibir el artículo dañado, **Pinnacle Products International, Inc.** lo examinará y determinará si está defectuoso. **Pinnacle Products International, Inc.** reparará o reemplazará y devolverá el artículo con

porte pagado. Si **Pinnacle Products International, Inc.** determina que el artículo está en condición normal de funcionamiento o no defectuoso, el artículo será devuelto con flete por pagar. Esta Garantía limitada sustituye toda otra garantía expresa. **Pinnacle Products International, Inc.** excluye todas las garantías de los productos comprados de otros vendedores que no sean minoristas o distribuidores autorizados.

DESPUÉS DEL VENCIMIENTO DEL PERÍODO DE UN (1) A—O DE LA GARANTÍA LIMITADA, **Pinnacle Products International, Inc.** DESCONOCERÁ CUALESQUIERA Y TODAS LAS GARANTÍAS IMPLÍCITAS, INCLUIDAS SIN LIMITACIONES LAS GARANTÍAS IMPLÍCITAS DE COMERCIABILIDAD Y ADECUACIÓN PARA UNA APLICACIÓN EN PARTICULAR. ADEMÁS, **Pinnacle Products International, Inc.** NO ASUME NINGUNA RESPONSABILIDAD ANTE EL COMPRADOR O CUALQUIER TERCERO POR CUALESQUIERA DA—OS ESPECIALES, INDIRECTOS, PUNITIVOS, INCIDENTALES O CONSECUENTES. **Pinnacle Products International, Inc.** no asume ninguna responsabilidad por defectos causados por terceros. Esta Garantía limitada le otorga derechos legales específicos al comprador, y es posible que el comprador tenga otros derechos, dependiendo del lugar donde viva. Algunos Estados no permiten la exclusión ni limitación de daños especiales, menores o indirectos, ni limitaciones de la duración de la garantía; por lo que es posible que la exclusión y las limitaciones anteriores no le conciernan a usted.

**Pinnacle Products International, Inc.** no autoriza a ninguna persona o compañía a asumir a nombre de ella cualquier otra obligación o responsabilidad relacionada con la venta, instalación, uso, desmontaje, devolución o reemplazo de su equipo y ninguna tal representación será obligatoria para **Pinnacle Products International, Inc.**

Asegúrese siempre de especificar el número de modelo y el número de serie cuando presente reclamos a **Pinnacle Products International, Inc.** Para su comodidad, apunte esta información en el espacio provisto:

Register Your Product Online at: [http://www.masterindustrialproducts.com/Product\\_Registration.php](http://www.masterindustrialproducts.com/Product_Registration.php)

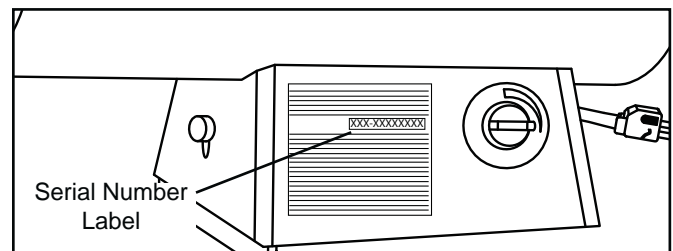
### Ubicación del Serial:

El serial se puede encontrar en una etiqueta blanca en el lado derecho de la cobertura de su calentador. Comenzará con , las letras "HGF" seguida por 8 dígitos. Por ejemplo: HGF12345678. Busque el serial antes de llamar a servicio al cliente al teléfono 800-641-6996.

Model #: \_\_\_\_\_

Serial #: \_\_\_\_\_

Date of Purchase: \_\_\_\_\_







---

© 2015 Pinnacle Products International, Inc.  
668 Stony Hill Road #302 Yardley, PA 19067 USA • Toll Free (800)-641-6996  
Fax: (215)-891-8461 • Web: [www.pinnacleint.com](http://www.pinnacleint.com) • Email: [info@pinnacleint.com](mailto:info@pinnacleint.com)



# MASTER®

## Manuel de L'utilisateur et Instructions D'utilisation Numéros de Modèles REM-40-GFA / REM-60V-GFA-A / REM-125V-GFA-A / REM-150V-GFA-A



Factory ID: 001

Actual product features are subject to change due to ongoing improvements

**CLIENT: CONSERVER CE MANUEL POUR CONSULTATION ULTÉRIEURE**

### **▲ DANGER** **AVERTISSEMENT GÉNÉRAL DE DANGER:**

LE NON-RESPECT DES MISES EN GARDE ET DES INSTRUCTIONS FOURNIES AVEC CE RADIATEUR PEUT ENTRAÎNER LA MORT, DE GRAVES BLESSURES ET DES PERTES MATÉRIELLES OU DES DOMMAGES À LA PROPRIÉTÉ RÉSULTANT D'UN INCENDIE, D'UNE EXPLOSION, DE BRÛLURES, D'ASPHYXIE, D'EMPOISONNEMENT AU MONOXYDE DE CARBONE ET/OU D'UN CHOC ÉLECTRIQUE.

SEULES LES PERSONNES APTES À COMPRENDRE ET À SUIVRE LES INSTRUCTIONS DEVRAIENT SE SERVIR DE CE RADIATEUR OU LE RÉPARER.

SI VOUS AVEZ BESOIN D'AIDE OU D'INFORMATIONS CONCERNANT CE RADIATEUR, TELLES QU'UNE NOTICE D'INSTRUCTIONS, UNE ÉTIQUETTE, ETC., PRIÈRE DE COMMUNIQUER AVEC LE FABRICANT.

### **▲ AVERTISSEMENT**

RISQUE D'INCENDIE, DE BRÛLURE, D'INHALATION ET D'EXPLOSION. GARDER LES COMBUSTIBLES SOLIDES, COMME LES MATÉRIAUX DE CONSTRUCTION, LE PAPIER OU LE CARTON, À UNE DISTANCE SÉCURITAIRE DU RADIATEUR, SELON LES RECOMMANDATIONS DE CE MANUEL. NE JAMAIS UTILISER LE RADIATEUR DANS DES ENDROITS QUI CONTIENNENT OU POURRAIENT CONTENIR DES MATIÈRES COMBUSTIBLES VOLATILES OU EN SUSPENSION DANS L'AIR, OU ENCORE DES PRODUITS COMME DE L'ESSENCE, DES SOLVANTS, DES DILUANTS À PEINTURE, DES PARTICULES DE POUSSIÈRE OU DES PRODUITS CHIMIQUES INCONNUS.

© 2015 Pinnacle Products International, Inc.

668 Stony Hill Road #302 Yardley, PA 19067 USA • Toll Free (800)-641-6996

Fax: (215)-891-8461 • Web: [www.remingtonheater.com](http://www.remingtonheater.com) • Email: [info@pinnacleint.com](mailto:info@pinnacleint.com)



## Table des Matières

Informations sur la Sécurité.....	1-3	Schéma de Câblage.....	9
Caractéristiques.....	4	Dépannage.....	10
Fonctionnement.....	5-7	Vue Éclatée des Pièces.....	11
Ventilation.....	8	Liste des Pièces.....	12
Entretien.....	8	Garantie.....	13

## Informations sur la Sécurité

**▲ AVERTISSEMENT** NE PAS UTILISER DANS DES MAISONS OU DES VÉHICULES DE PLAISANCE.

**▲ DANGER** **Danger lié au monoxyde de carbone** Ce radiateur produit du monoxyde de carbone, qui n'a pas d'odeur. Le fait de faire brûler ce radiateur dans un espace clos peut causer la mort. Ne jamais utiliser le radiateur dans des espaces clos comme une tente, une camionnette de camping, tout véhicule ou véhicule de plaisance, abri fermé ou tout autre type d'espace clos.

**▲ DANGER** **Si les informations contenues dans ce manuel ne sont pas suivies à la lettre, un incendie ou une explosion peuvent survenir et causer des dommages matériels, des blessures ou la mort.**

**▲ DANGER** N'est pas conçu pour une utilisation dans une aire résidentielle ou dans un espace clos qui n'est pas ventilé adéquatement. Ne jamais apporter ou entreposer une bouteille de propane à l'intérieur.

**▲ AVERTISSEMENT** **NE PAS UTILISER CET APPAREIL DE CHAUFFAGE AVANT D'AVOIR LU ET PARFAITEMENT COMPRIS CES CONSIGNES DE SÉCURITÉ ET D'OPÉRATION.**  
Le non-respect des précautions et instructions fournies avec cet appareil peut entraîner la mort, des blessures corporelles graves, la perte ou des dommages aux biens causés par les risques d'incendie, la production de suie, des explosions, des brûlures, l'asphyxie ou un empoisonnement au monoxyde de carbone. Seules les personnes qui peuvent lire et comprendre les présentes directives devraient utiliser ou faire l'entretien de cet appareil de chauffage.

**▲ AVERTISSEMENT** Ceci est un appareil de chauffage portatif non raccordé utilisant l'air (oxygène) ambiant de l'espace où il est utilisé. Une insuffisance d'air pour la combustion et la ventilation causera l'asphyxie, l'intoxication par oxyde de carbone, des lésions corporelles ou la mort. Voir la rubrique « Ventilation » à la page 8.

**▲ AVERTISSEMENT** **RÉSIDENTS DE LA CALIFORNIE:** Ce produit contient des produits chimiques, dont le plomb, connue à l'État de Californie pour causer des malformations congénitales ou d'autres troubles de la reproduction. **Se laver les mains après manipulation.**

Ce radiateur est conçu pour les sites de construction en conformité avec ANSI Z83.7-2011/CSA 2.14-2011. VÉRIFIER AVEC LE SERVICE LOCAL DES INCENDIES SI L'ON A DES QUESTIONS SUR L'APPLICATION. D'autres normes régissent l'utilisation des gaz combustibles et des produits de chauffage pour des utilisations spécifiques. Les autorités locales peuvent vous informer sur ces dernières

## Informations sur la Sécurité

### **▲ AVERTISSEMENT** RISQUE DE POLLUTION DE L'AIR INTÉRIEUR!

Les produits décrits dans ce manuel sont des générateurs de chaleur à feu direct et à air pulsé alimentés au kérosène. Les appareils à air forcé au kérosène sont principalement destinés au chauffage temporaire des bâtiments en cours de construction ou de rénovation. Feu direct signifie que tous les produits de combustion du radiateur entrent dans l'espace chauffé. Cet appareil est évalué à 98 % de rendement de la combustion, mais il produit de petites quantités de monoxyde de carbone.

### **▲ DANGER** L'EMPOISONNEMENT AU MONOXYDE DE CARBONE PEUT ENTRAÎNER LA MORT!

Le monoxyde de carbone est toxique. Les êtres humains peuvent tolérer de petites quantités de monoxyde de carbone, des précautions doivent donc être prises pour assurer une ventilation adéquate. Une ventilation non adéquate, en violation des consignes figurant dans ce manuel, peut entraîner la mort. Les premiers symptômes d'un empoisonnement au monoxyde de carbone ressemblent à ceux de la grippe.

Les personnes atteintes de problèmes respiratoires devraient consulter un médecin avant d'utiliser cet appareil.

Les premiers signes d'intoxication au monoxyde de carbone ressemblent aux symptômes de la grippe. Ces symptômes d'une mauvaise ventilation ou d'un empoisonnement au monoxyde de carbone sont:

**Mal de Tête • Vertiges • Nausée • Bouche Sèche Mal de Gorge • Nez et Yeux Qui Brûlent**

Si vous ressentez un ou plusieurs de ces symptômes : **SORTEZ IMMÉDIATEMENT RESPIRER DE L'AIR FRAIS!** Faites vérifier ou réparer votre appareil et vérifiez que la ventilation est adéquate. Certaines personnes sont plus affectées que d'autres par le monoxyde de carbone. Celles-ci incluent : les femmes enceintes, les personnes ayant des problèmes cardiaques ou pulmonaires, souffrant d'anémie ou qui se trouvent sous l'influence de l'alcool ou à haute altitude.

**POUR USAGE EXTÉRIEUR. USAGE INTÉRIEUR PERMIS SEULEMENT POUR: chauffage temporaire des structures ou des bâtiments bien ventilés en cours de construction, de modification ou de réparation! Une ouverture d'un minimum de 2 800 cm<sup>2</sup> (trois pieds carrés) sur l'air extérieur devrait exister pour chaque 100 000 BTU/hr du régime nominal de l'appareil. Voir la rubrique « Ventilation » à la page 8 pour plus de détails.**

### **▲ DANGER** LE PROPANE EST UN GAZ EXPLOSIF!

**QUE FAIRE SI UNE ODEUR DE GAZ EST DÉTECTÉE:**

- Ne pas tenter d'allumer le radiateur.
- Éteindre toute flamme nue.
- Couper l'alimentation en gaz vers le radiateur.
- Si l'odeur persiste, contacter votre fournisseur de gaz local où le service des incendies.
- Ne pas toucher ou utiliser un commutateur électrique ou un appareil électrique qui pourrait produire une étincelle.
- Appeler immédiatement votre fournisseur de gaz à partir du téléphone d'un voisin. Suivre les instructions du fournisseur de gaz.
- Si le fournisseur de gaz ne peut être rejoint appeler le service des incendies.
- La réparation doit être effectuée par une agence de service qualifiée ou par le fournisseur de gaz.

### **▲ AVERTISSEMENT** RISQUES DE BRÛLURES, D'INCENDIE, D'EXPLOSION!

NE JAMAIS entreposer ni utiliser d'essence ou d'autres vapeurs ou liquides inflammables à proximité de ce radiateur ou de tout autre appareil.

NE JAMAIS entreposez une bouteille de propane (LP) non raccordée à cette chaufferette à proximité de celle-ci.

NE JAMAIS connecter le radiateur à une alimentation en gaz sans régulation.

NE JAMAIS obstruer le flux d'air carburant et de ventilation. (L'avant et l'arrière de l'appareil de chauffage)

NE JAMAIS utiliser de gaines ou conduits d'air à l'avant ou à l'arrière de l'appareil.

NE JAMAIS modifier le radiateur ou utiliser un radiateur qui a été modifié.

NE JAMAIS déplacer ou manipuler l'appareil lorsqu'il est encore chaud.

### **▲ AVERTISSEMENT** MISE EN GARDE! CHAUD DURANT L'OPÉRATION. NE PAS TOUCHER. GARDER HORS DE LA PORTÉE DES ENFANTS ET DES ANIMAUX ET À L'ÉCART DES VÊTEMENTS OU DE TOUT MATÉRIAU COMBUSTIBLE.

Garder tous les matériaux combustibles à l'écart de cet appareil de chauffage.

Dégagement Minimal Par Rapport Aux Combustibles			
Côtés	Haut	Avant	Arrière
61 cm	92 cm	183 cm	61 cm

## Informations sur la Sécurité

**▲ AVERTISSEMENT RISQUE DE CHOC ÉLECTRIQUE!**

**▲ AVERTISSEMENT** Instructions pour la mise à la terre Cet appareil est équipé d'une fiche à trois broches (incluant la mise à la terre) pour votre protection contre les risques de choc électrique; il devrait être branché directement à une prise à trois broches correctement mise à la terre.

TOUJOURS utiliser uniquement l'alimentation électrique (tension et fréquence) indiquée sur la plaque signalétique de l'appareil de chauffage.

TOUJOURS utiliser seulement des rallonges cotées 14 AWG ou mieux.

TOUJOURS débrancher l'appareil de chauffage lorsqu'il n'est pas en service.

TOUJOURS installer l'appareil dans un endroit où il n'est pas directement exposé au vent, à la pluie, aux gouttes ou aux éclaboussures d'eau.

**▲ AVERTISSEMENT Pour être utilisé avec du gaz propane (GPL) seulement**

- L'installation de ce radiateur doit être conforme à tous les codes locaux et/ou aux exigences des services de gaz. En l'absence de codes locaux, suivre les directives du National Fuel Code ANSI Z223.1.
- Ce radiateur est expédié de l'usine pour être utilisé avec du gaz propane (GPL) seulement. Ne pas convertir vers un quelconque autre gaz.

**▲ AVERTISSEMENT** L'ensemble des tuyaux doit être protégé contre le trafic, les matériaux de construction et un contact avec des surfaces chaudes, durant l'utilisation et pendant l'entreposage.

L'installation doit être conforme aux codes locaux, ou en leur absence, avec la norme du Storage and Handling of Liquefied Petroleum Gases ANSI/NFPA 58 et le gaz naturel et du Code d'installation du propane 149.1.

- Vérifier les connexions d'alimentation en gaz avec une solution de 50/50 d'eau et de savon. Ne jamais utiliser de flamme pour vérifier la présence de fuites de gaz.
- Localiser bouteille de propane au moins 1,8 m (3,1 m au Canada) à partir du radiateur. Ne pas pointer la décharge chauffe vers la bouteille de propane à moins qu'il soit au moins 6 m du radiateur.
- N'utiliser que l'ensemble régulateur et tuyau fournis avec ce radiateur. Inspecter l'ensemble régulateur/tuyau avant chaque utilisation du radiateur. Si l'abrasion ou l'usure est excessive, ou si le tuyau est coupé, le remplacer par l'ensemble qui convient, illustré dans la liste des pièces, avant d'utiliser le radiateur.

Pression D'alimentation Gaz				
	40-GFA	60V-GFA-A	125V-GFA-A	150V-GFA-A
Min.	34,5 kPa (5 PSI)			
Max.	Pression de la Bouteille			

**▲ AVERTISSEMENT RISQUE D'INCENDIE! NE POSITIONNEZ JAMAIS LA CHAUFFERETTE INCLINÉE VERS LE BAS. PLACEZ TOUJOURS LA CHAUFFERETTE SUR UNE SURFACE PLANE ET STABLE.**

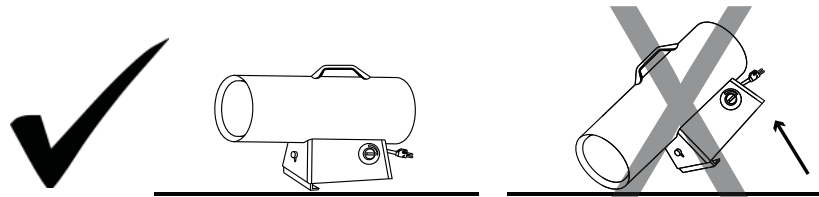


Figure 1

### Déballage

1. Déballer tous les articles appliqués au radiateur pour l'expédition. Garder les capuchons en plastique attachés à l'ensemble connecteur d'entrée et tuyau/régulateur pour l'entreposage.
2. Enlever tous les articles du carton.
3. Vérifier qu'aucun article n'a été endommagé pendant le transport. Si le radiateur est

endommagé, informer immédiatement le détaillant qui vous l'a vendu.

**▲ ATTENTION** Le régulateur de pression du GPL et le tuyau fournis avec le radiateur doivent être utilisés tels quels, sans aucune modification.

### Caractéristiques

Modèles #	REM-40-GFA	REM-60V-GFA-A	REM-125V-GFA-A	REM-150V-GFA-A
BTU	40,000	40/50/60,000	95/110/125,000	120/135/150,000
Consommation de Carburant (Lbs./hr)	1.9	1.9 / 2.3 / 2.8	4.4 / 5.1 / 5.8	5.5 / 6.2 / 6.9
Nombre Maximal D'Heures de Fonctionnement	11	10.5	22.7	18
Cylindre Requis, en lb	20	20	100	100
Type de Carburant	Propane	Propane	Propane	Propane
Surface Chauffée (Ft. <sup>2</sup> )	1,000	1,500	3,125	3,800
Circulation D'air (CFM)	300	300	400	400
Température Maximale à la Sortie (°F)	477	491	500	622
Volts: AC/Hz	120V / 60Hz	120V / 60Hz	120V / 60Hz	120V / 60Hz
Amperes	0.6 A	0.6 A	0.8 A	0.8 A

Spécifications sujettes à modification sans préavis.

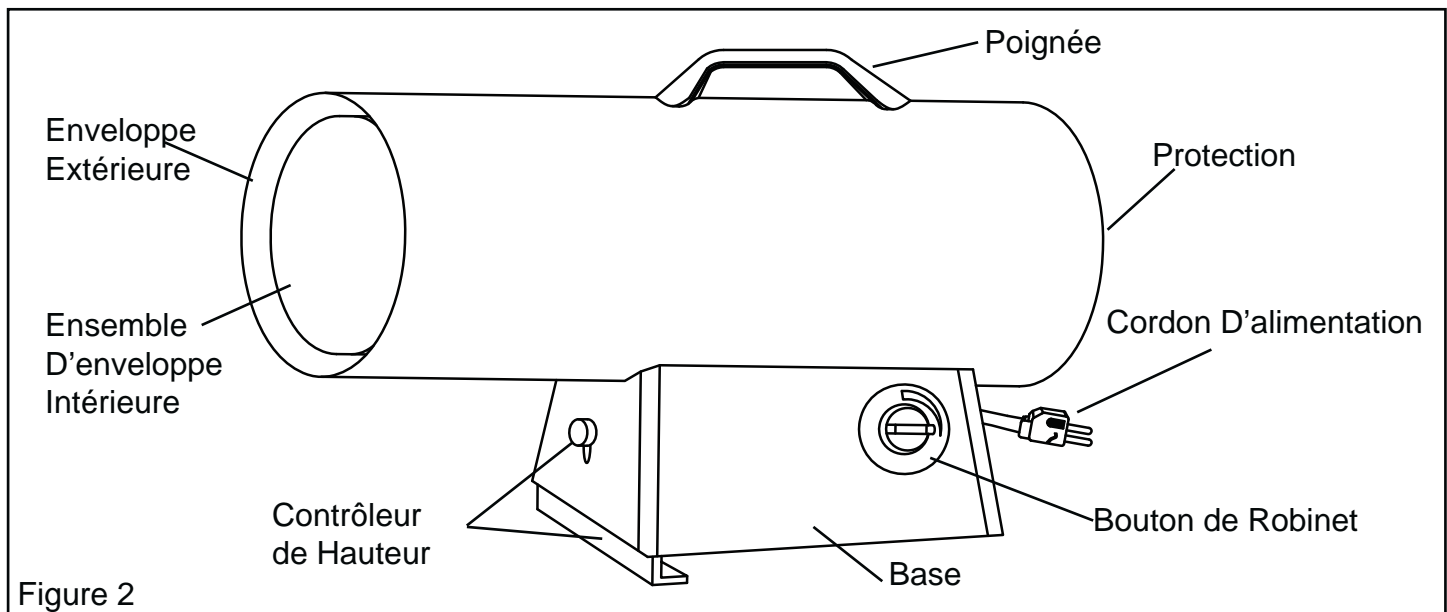


Figure 2

**Pièces Manquantes? Composez le 800-641-6996 Pour Obtenir de L'aide**

## Fonctionnement

### Informations sur le Propane:

#### Propane (LP)

Cet appareil de chauffage n'est pas vendu avec une bouteille de propane. Utiliser uniquement une bouteille de propane approuvée.

#### LP Caractéristiques

- Inflammable, explosif si sous pression, plus lourd que l'air et s'accumule au ras du sol.
- Dans son état naturel, le gaz propane n'a aucune odeur, mais pour des raisons de sécurité un odorisant qui sent le chou pourri a été ajouté.
- Un contact du pétrole liquide avec la peau peut causer des brûlures par le froid.
- Le radiateur est fabriqué pour utiliser du PL seulement. NE PAS tenter de le convertir vers un quelconque autre gaz. De telles modifications sont dangereuses et annulent la garantie.
- Lorsque le radiateur n'est pas utilisé, l'alimentation en GPL doit être COUPÉE.
- Assurez-vous que la bouteille de LP soit placée sur une surface plane et stable.
- Ne pas utiliser cet appareil dans un sous-sol ou au-dessous du niveau du sol. Propane (LP) est plus lourd que l'air, et recherchera toujours le niveau le plus bas. Si vous suspectez une fuite, fermer le robinet à la bouteille de propane immédiatement.

#### Le réservoir de GPL doit aussi être équipé des accessoires suivants

- Un collier qui protège le robinet de gaz.
- Un robinet d'arrêt au bout de la sortie du robinet de la bouteille de propane, comme spécifié dans les normes américaines pour les sorties et les entrées de robinets d'évacuation pour bouteille de gaz.
- Une soupape de sûreté en communication directe avec l'espace de vapeur du réservoir.
- La chaufferette doit fonctionner à partir du gaz provenant de la bouteille d'alimentation.

La quantité de GPL utilisée avec ce radiateur varie. Les deux facteurs déterminants sont

- La quantité de gaz dans la bouteille de GPL.
- La température de la bouteille de GPL et de ses environs.

Temp. Moyenne (°F)	40-GFA 20 / 100 lb. cylindre	60V-GFA-A 20 / 100 lb. cylindre	125V-GFA-A 20 / 100 lb. cylindre	150V-GFA-A 20 / 100 lb. cylindre
32°	1	1	2	2
20°	1	1	2	2
10°	1	1	3	3
0°	1	1	3	3
-10°	2	2	Utiliser un plus grand réservoir	
-20°	2	2		

Le tableau précédent indique le nombre minimal de bouteilles de LP de 100 lb requises par temps froid. Votre fournisseur local de LP vous aidera à choisir le système d'alimentation approprié

**▲ ATTENTION** Le gaz propane est sécuritaire lorsqu'il est manipulé correctement. Une manipulation sans précaution d'un réservoir de gaz propane peut causer un incendie et/ou une explosion. En conséquence.

- Toujours garder le réservoir/la bouteille fixé de façon sécuritaire et en position debout.
- Éviter d'incliner le réservoir sur le côté lorsque raccordé à un régulateur, ce qui risque d'endommager le diaphragme à l'intérieur régulateur.
- Manipuler les robinets avec précaution.
- Ne jamais raccorder un réservoir de propane sans régulateur à un radiateur de construction.
- Ne pas soumettre le réservoir de propane à une chaleur excessive.
- Serrer fermement le robinet d'arrêt du gaz sur le réservoir de propane après chaque utilisation.
- Tous les raccords doivent être protégés lorsque démontés du réservoir de GPL.
- Ne jamais entreposer un réservoir de gaz propane dans un édifice ou à proximité d'un appareil qui brûle du gaz.

**▲ ATTENTION** Le réservoir débranché ne doit jamais être entreposé dans un édifice, un garage ou dans toute autre aire fermée.

## Fonctionnement

### Pré-allumage Instructions:

#### Remplissage du Réservoir de gaz Propane

**▲ AVERTISSEMENT** La purge et le remplissage des réservoirs de GPL doivent être effectués par du personnel entièrement formé aux procédures acceptées dans l'industrie du GPL. La non-conformité à ces directives peut entraîner une explosion, un incendie, des blessures graves ou mortelles.

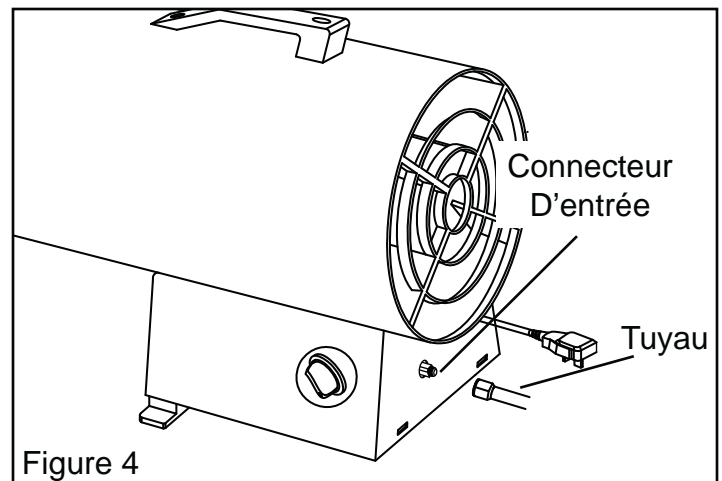
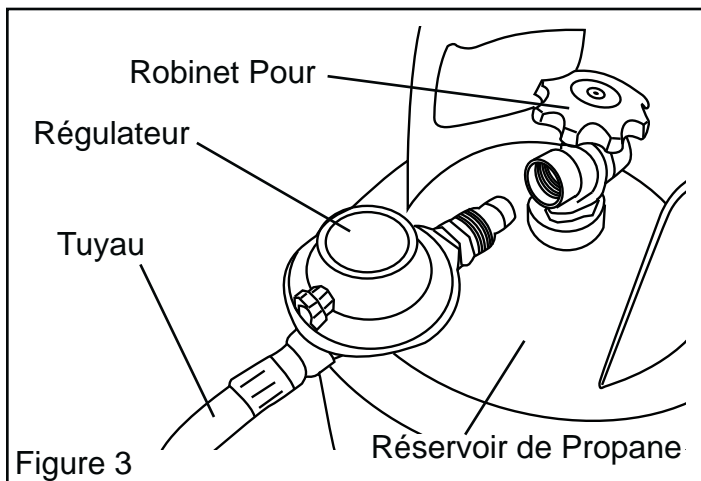
#### **TOUTES LES NOUVELLES BOUTEILLES DOIVENT ÊTRE PURGÉES AVANT D'ÊTRE REMPLIES DE NOUVEAU.**

- Tourner les boutons des robinets de gaz du radiateur et du réservoir à la position d'arrêt (OFF).
- Le robinet du réservoir de propane est équipé avec des raccords ancien style FILETAGE CÔTÉ GAUCHE. Tourner le raccord dans le sens HORAIRE pour desserrer. Protéger ce raccord lorsqu'il est détaché du réservoir.
- Faire remplir le réservoir par votre fournisseur de gaz propane local.
- Certains réservoirs de propane possèdent un robinet de purge. Ce robinet doit être inspecté pour y détecter des fuites après chaque remplissage du réservoir. Tourner le robinet dans le sens horaire pour fermer.

- Serrer l'intégralité du réservoir de propane et raccorder les raccords qui conviennent au robinet du réservoir en tournant dans le sens ANTIHORAIRE.
- Alors que le bouton du robinet de gaz est encore en position fermée (OFF), ouvrir le robinet du réservoir (ON) et vérifier pour détecter toute présence de fuites avec une solution d'eau savonneuse.

#### **Vérification des Fuites**

- Pour vérifier la présence de fuites, préparez une solution 50/50 de savon à vaisselle et d'eau. Appliquez cette solution sur tous les raccords du gaz. Si des bulles apparaissent, il existe une fuite. Si une fuite est découverte, coupez l'alimentation en gaz et refaites le raccord défectueux. Si la fuite persiste suite à plusieurs tentatives, contactez le service à la clientèle de Pinnacle au 800-641-6996.
- L'installation du radiateur doit être conforme aux codes locaux et/ou aux exigences des services de gaz ou, en l'absence de codes locaux, avec le National Fuel Code ANSI Z223.1.
- Les dégagements minimaux par rapport aux matériaux de construction combustibles illustrés à la page 2 doivent être maintenus en tout temps.
- La chauffeuse devrait être inspectée avant chaque utilisation, et au moins une fois par année par un technicien d'entretien qualifié.



## Fonctionnement

### Instructions D'allumage:

#### **Demarrage du Chauffage (Allumage)**

1. Branchez l'appareil de chauffage dans une prise à trois broches avec mise à la terre. Vous devez utiliser une rallonge d'une longueur d'au moins 1,83 mètres (6 pieds) dont la capacité est d'au moins 14 AWG.
2. Raccorder le radiateur à une bouteille de GPL qui convient.
3. Tourner le robinet dans le sens HORAIRE à la position d'arrêt (OFF).
4. Attendre cinq (5) minutes pour que tout gaz se dissipe. Sentir pour détecter toute odeur de gaz; si rien n'est détecté, passer à l'étape 5.
5. Enfoncer le bouton de commande de gaz et le tourner dans le sens ANTIHORAIRE jusqu'à la position 1. Ceci allume le brûleur. Si nécessaire, continuer d'appuyer le bouton de commande jusqu'à ce que le brûleur s'allume et maintenir cette pression en tournant de OFF à 1 sur les modèles à étincelles piézo électrique (1 sur modèle 40-GFA). (voir Figure 5)
6. Garder enfoncé le bouton du robinet pendant au moins 30 secondes après l'allumage du brûleur. Après 30 secondes, relâcher le bouton du robinet.

7. Si le brûleur ne reste pas allumé, répéter la procédure d'allumage.
8. Lorsque le brûleur reste allumé, tourner le bouton du robinet de gaz dans le sens antihoraire au réglage désiré (tous les modèles sauf 40-GFA-).

#### **Instruction Pour L'Arrêt**

Pour éteindre le radiateur:

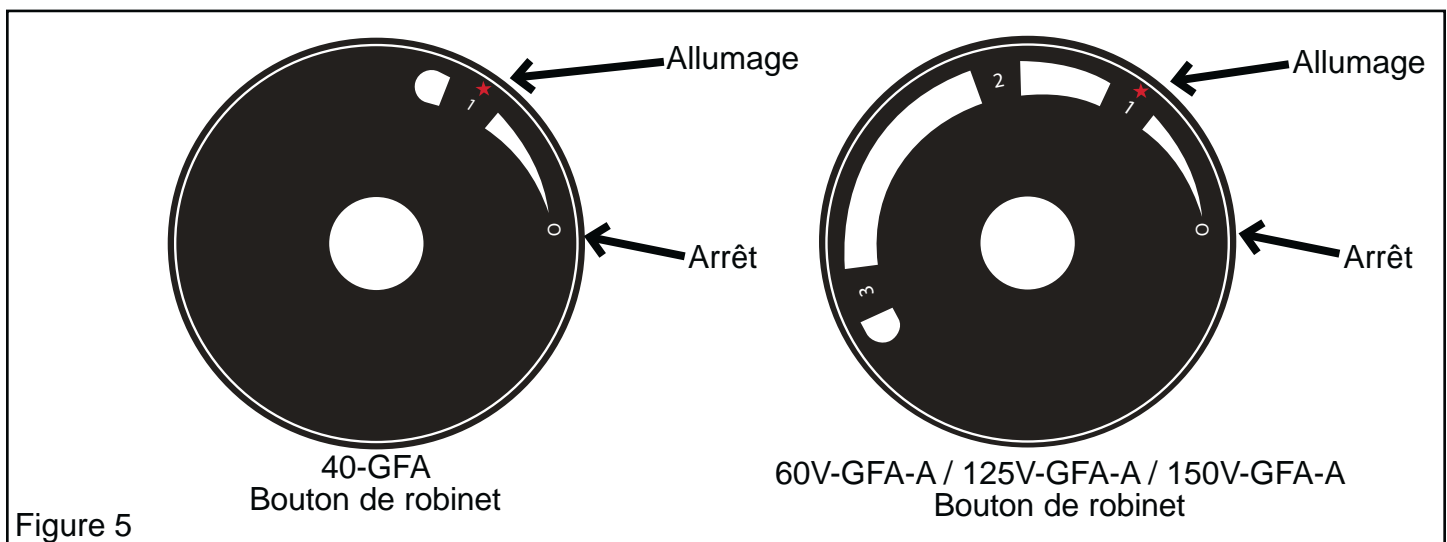
1. Tourner le bouton du robinet dans le sens horaire à la position d'arrêt (OFF). (voir Figure 5)
2. FERMER l'alimentation en gaz en tournant le robinet de réservoir de propane dans le sens HORAIRE.
3. Débrancher le cordon d'alimentation.

#### **Vérification de la Mise en Feu du Radiateur**

Vérifier la mise en feu du radiateur de construction en suivant les instructions d'allumage correspondant au système de commande de gaz utilisé.

Vérifier pour détecter des fuites à tous les raccords de gaz à l'aide d'une solution d'eau et de savon 50/50. Des bulles de savon indiquent une fuite de gaz. NE PAS utiliser une allumette ou une flamme pour détecter des fuites de gaz.

**REMARQUE : La température de la surface du radiateur doit être froide avant d'effectuer le service, le nettoyage ou l'entreposage.**





## Ventilation

**⚠ DANGER L'EMPOISONNEMENT AU MONOXYDE DE CARBONE PEUT ENTRAÎNER LA MORT!**

- **Risque de pollution de l'air intérieur. Utiliser le radiateur seulement dans endroit bien ventilé.**
- **Veillez vous reporter aux pages 1 et 2 en ce qui concerne l'empoisonnement au monoxyde de carbone.**
- **TOUJOURS** fournir une ouverture sur de l'air frais d'au moins 2800 cm<sup>2</sup> pour chaque sortie de 100,00 BTU/h. Prévoir une ouverture plus importante se plusieurs radiateurs sont utilisés.

Ouverture Minimum Requise Pour la Ventilation			
40-GFA	60V-GFA-A	125V-GFA-A	150V-GFA-A
1.2 ft. <sup>2</sup>	1.8 ft. <sup>2</sup>	3.8 ft. <sup>2</sup>	4.5 ft. <sup>2</sup>
1110 cm <sup>2</sup>	1670 cm <sup>2</sup>	3530 cm <sup>2</sup>	4180 cm <sup>2</sup>

**⚠ DANGER** N'est pas conçu pour une utilisation dans une aire résidentielle ou dans un espace clos qui n'est pas ventilé adéquatement.

## Entreposage / Entretien

Ne jamais entreposer un réservoir de gaz propane dans un édifice ou à proximité d'un appareil qui brûle du gaz ou de l'huile. Lorsqu'un réservoir de propane n'est pas débranché d'un radiateur de construction, le réservoir de gaz et le radiateur doivent être entreposés à l'extérieur dans une zone bien ventilée, hors de portée des enfants.

Si pour une raison quelconque, le radiateur est entreposé à l'intérieur, le réservoir doit d'abord être débranché et enlevé de la base du radiateur et entreposé à l'extérieur dans une zone bien ventilée, hors de portée des enfants, en conformité avec la dernière édition du Storage and Handling of Petroleum Gases ANSI/NFPA 58 et le gaz naturel et du Code d'installation du propane 149.1. Le bouchon en plastique du robinet du réservoir, fourni avec le réservoir, doit être installé bien serré lorsque le réservoir est débranché du radiateur.

**⚠ DANGER** Ne jamais entreposer un réservoir de gaz propane dans un édifice ou à proximité d'un appareil qui brûle du gaz ou de l'huile.

**REMARQUE : L'installation et les réparations doivent être effectuées par du personnel de service qualifié..**

Veillez à toujours suivre les procédures d'entretien adéquates. Cela devrait inclure le nettoyage de l'intérieur du chauffe-eau une fois par mois. Régler l'espacement entre les bornes à 4 mm (0,160 po).

## Schémas de Câblage

### 40-GFA

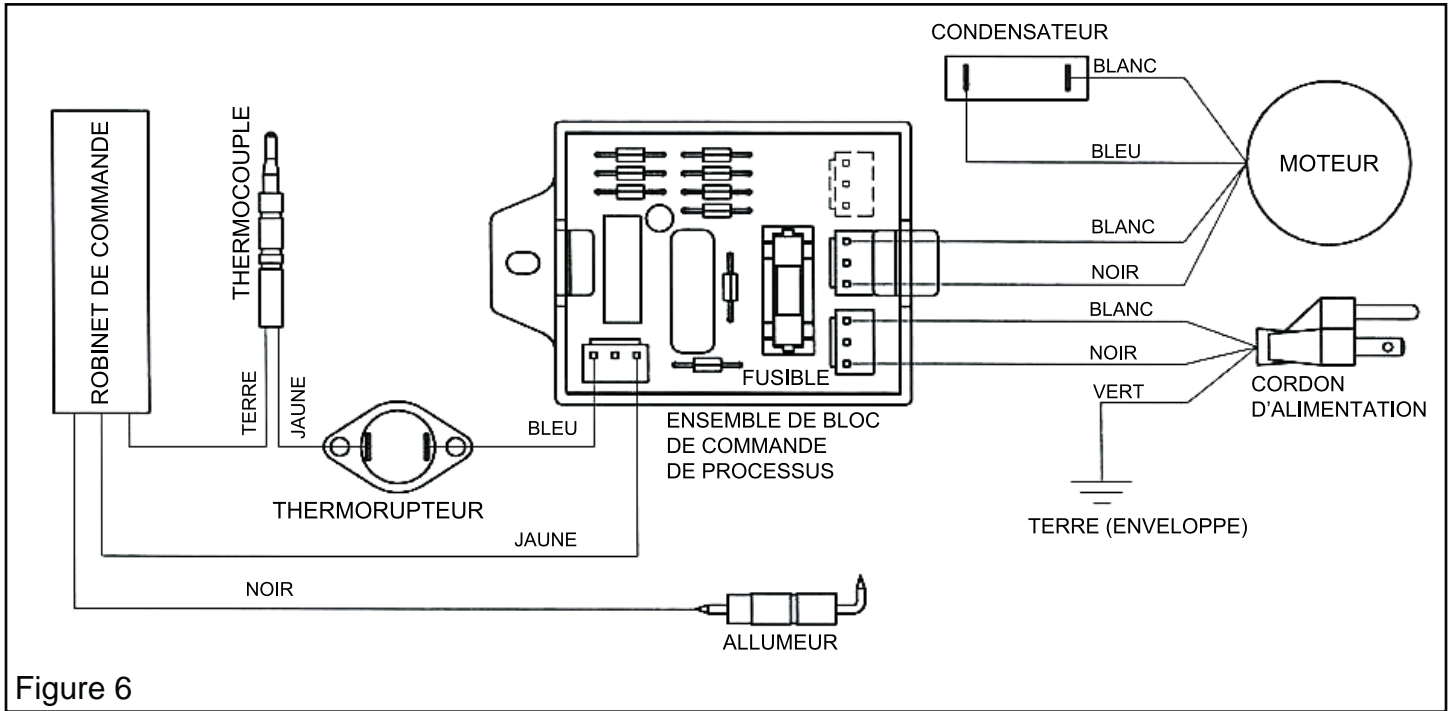


Figure 6

### 60V-GFA-A / 125V-GFA-A / 150V-GFA-A

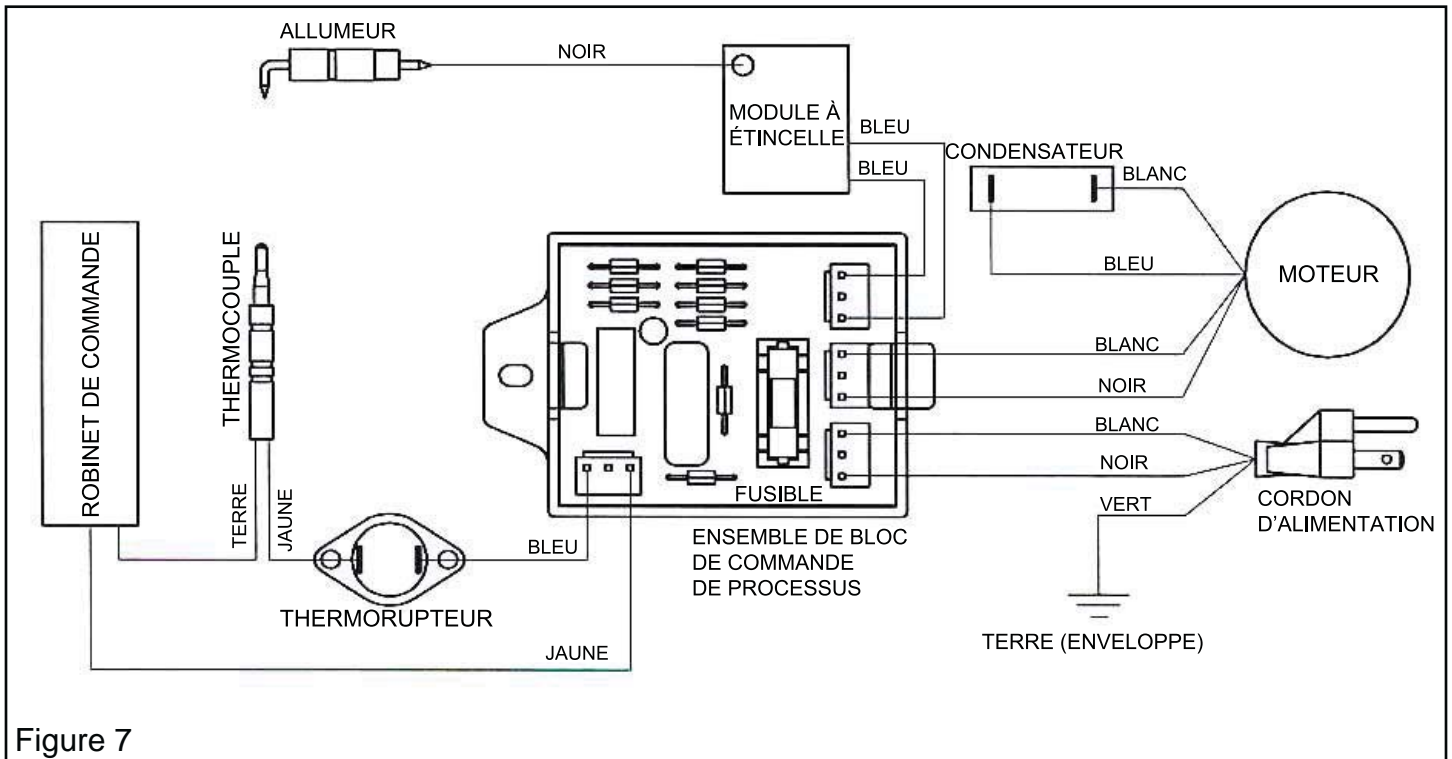


Figure 7

## Guide de Dépannage

### Repérage du Numéro de Série:

Le numéro de série se trouve sur une étiquette blanche apposée du côté droit du couvercle de l'appareil de chauffage. Il commence par les lettres « HGF » suivie de 8 autres chiffres. Par exemple: HGF12345678. Prenez note de votre numéro de série avant de contacter le service à la clientèle au 800-641-6996.

Problème	Causes Possibles	Solution
Le ventilateur ne tourne pas lorsque la connexion électrique est effectuée	<ol style="list-style-type: none"> <li>1. Pas d'alimentation électrique au radiateur.</li> <li>2. La pale du ventilateur entre en contact avec l'intérieur de l'enveloppe du radiateur</li> <li>3. Pale(s) de ventilateur pliée(s).</li> <li>4. Moteur du ventilateur défectueux.</li> </ol>	<ol style="list-style-type: none"> <li>1. Vérifier la tension vers la prise électrique. Si la tension est correcte, vérifier le cordon d'alimentation et la rallonge pour y détecter des coupures ou des brisures.</li> <li>2. S'assurer que le boîtier n'est pas endommagé. S'assurer qu'aucune obstruction n'entrave le ventilateur.</li> <li>3. Redresser la ou les lames pour qu'elles correspondent aux autres.</li> <li>4. Remplacer le moteur.</li> </ol>
Le radiateur ne peut être mis à feu.	<ol style="list-style-type: none"> <li>1. Aucune étincelle au niveau de l'allumeur.</li> <li>2. Écart de bougie incorrect.</li> <li>3. Électrode défectueuse.</li> </ol>	<ol style="list-style-type: none"> <li>1. Vérifier le fil de l'allumeur. Réattacher ou serrer si desserré. Vérifier le module à étincelles. Remplacer au besoin. Vérifier tous les composants électriques.</li> <li>2. Régler l'écart à 4,1 mm.</li> <li>3. Remplacer la bougie d'allumage.</li> </ol>
Le radiateur s'éteint pendant qu'il fonctionne	<ol style="list-style-type: none"> <li>1. Température interne trop élevée, ce qui déclenche l'interrupteur et éteint l'appareil.</li> <li>2. Robinet de commande endommagé.</li> <li>3. Accumulation de poussière ou de débris à l'intérieur du radiateur.</li> </ol>	<ol style="list-style-type: none"> <li>1. Si le débit du radiateur est restreint, la température interne devient trop élevée. Déplacer le radiateur pour l'éloigner de toute obstruction.</li> <li>2. Remplacer le robinet de commande.</li> <li>3. Nettoyer l'intérieur du radiateur.</li> </ol>

## Vue Éclatée

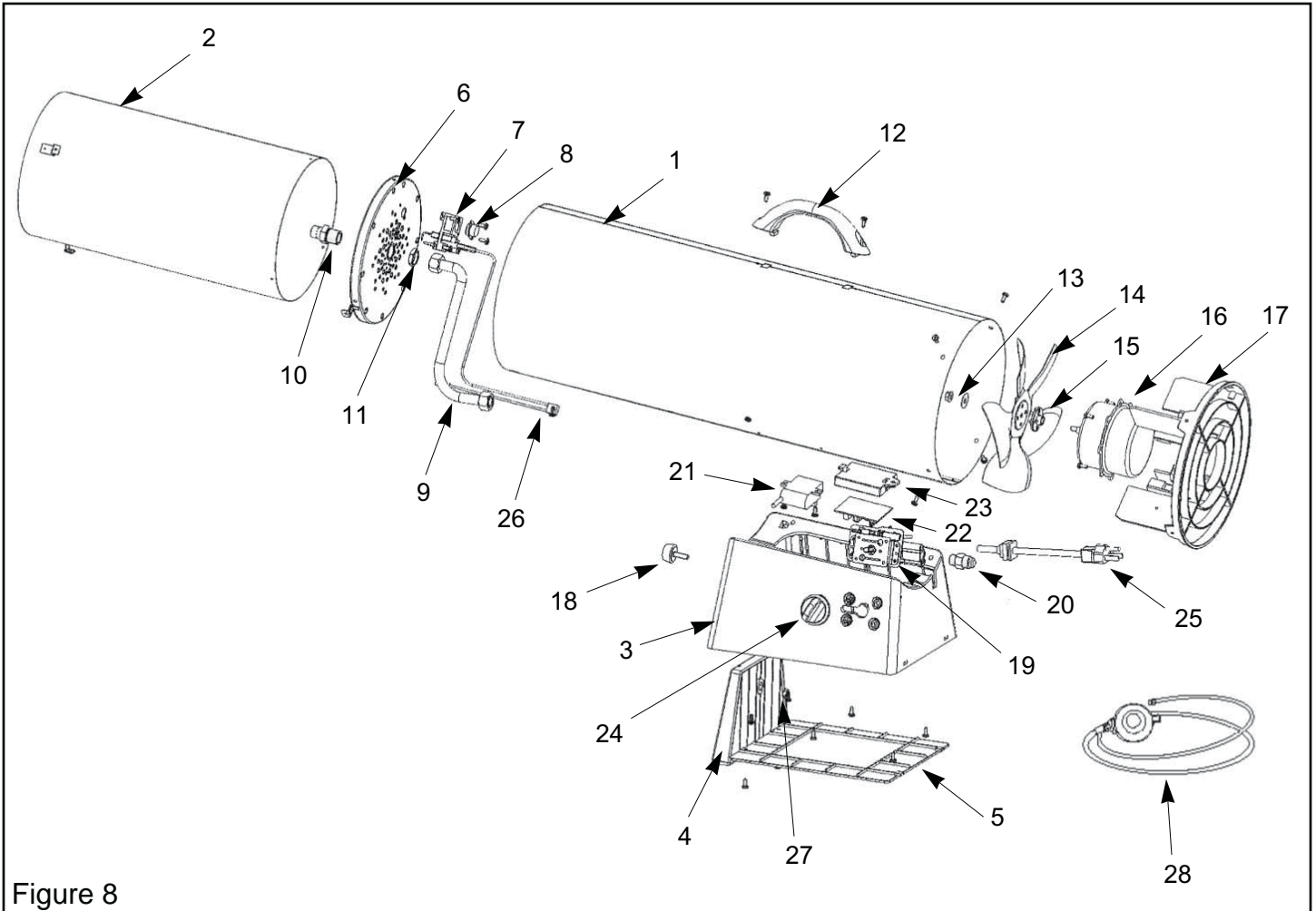


Figure 8



**NEVER LEAVE HEATER UNATTENDED WHILE BURNING,  
CONNECTED TO A POWER SOURCE, OR WHILE  
CONNECTED TO A FUEL SOURCE**

### Liste des Pièces

No. de ref	Description	REM-40-GFA	REM-60V-GFA-A	REM-125V-GFA-A	REM-150V-GFA-A
1	Enveloppe extérieure	22-524-0006	22-524-0007	22-524-0008	22-524-0008
2	Ensemble d'enveloppe intérieure	22-524-0004	22-524-0004	22-524-0005	22-524-0005
3	Base	22-501-0003	22-501-0001	22-501-0002	22-501-0002
4	Contrôleur de hauteur	22-512-0005	22-512-0006	22-512-0008	22-512-0008
5	Couvercle de la base	22-508-0003	22-508-0001	22-508-0002	22-508-0002
6	Capuchon d'enveloppe intérieure	22-505-0006	22-505-0010	22-505-0011	22-505-0008
7	Ensemble à supports multiples	22-504-0002	22-504-0002	22-504-0003	22-504-0003
8	Thermorupteur	22-603-0001	22-603-0010	22-603-0001	22-603-0001
9	Tubage	22-605-0001	22-605-0001	22-605-0002	22-605-0003
10	Gicleur	22-081-0007	22-081-0014	22-081-0015	22-081-0004
11	Écrou de gicleur	22-518-0001	22-518-0002	22-518-0002	22-518-0002
12	Poignée	22-511-0004	22-511-0004	22-511-0004	22-511-0004
13	Écrou hexagonal de collerette	22-518-0003	22-518-0003	22-518-0003	22-518-0003
14	Ventilateur	22-514-0001	22-514-0001	22-514-0002	22-514-0002
15	Tampon amortisseur	22-509-0001	22-509-0001	22-509-0001	22-509-0001
16	Moteur	22-061-0015	22-061-0015	22-061-0016	22-061-0016
17	Protection	22-101-0003	22-101-0003	22-101-0004	22-101-0004
18	Boulon rond	22-503-0002	22-503-0002	22-503-0003	22-503-0003
19	Robinet	22-011-0005	22-011-0017	22-011-0018	22-011-0008
20	Connecteur d'entrée	22-507-0003	22-507-0003	22-507-0003	22-507-0003
21	Module à étincelle	–	22-604-0005	22-604-0005	22-604-0005
22	Carte de circuits imprimés	22-521-0001	22-521-0002	22-521-0002	22-521-0002
23	Boîtier en PCB	22-506-0001	22-506-0001	22-506-0001	22-506-0001
24	Bouton de robinet	22-516-0001	22-516-0001	22-516-0001	22-516-0001
25	Cordon électrique	22-131-0001	22-131-0001	22-131-0001	22-131-0001
26	Câble de thermorupteur	22-601-0001	22-601-0001	22-601-0001	22-601-0001
27	Écrou hexagonal	22-518-0004	22-518-0004	22-518-0004	22-518-0004
28	Régulateur	22-041-0004	22-041-0004	22-041-0005	22-041-0005

## GARANTIE LIMITÉE

**Pinnacle Products International, Inc.** garantit à l'acheteur au détail d'origine seulement que ce radiateur sera exempt de défauts de matériau et de fabrication pendant une période d'un (1) an à compter de la date de l'achat initiale. Ce produit doit être installé, entretenu et utilisé correctement, en conformité avec les instructions fournies.

**Pinnacle Products International, Inc.** exige une preuve raisonnable de la date d'achat chez un détaillant ou un distributeur agréé. Il faut donc conserver le ticket de caisse, la facture ou le chèque payé pour l'achat d'origine. Cette garantie limitée couvre uniquement la réparation ou le remplacement des pièces jugées défectueuses dans des conditions d'utilisation et d'entretien normales pendant la période de garantie et **Pinnacle Products International, Inc.** se réserve le droit de déterminer ceci à sa seule discrétion.

Cette garantie ne s'applique pas à des produits achetés à des fins de location.

Cette garantie limitée ne couvre aucune défaillance ou difficulté d'utilisation résultant d'une usure normale, d'un accident, d'un usage abusif ou incorrect, d'une modification, d'un usage impropre, d'une installation incorrecte ou encore d'une réparation ou d'un entretien incorrects par l'utilisateur ou un tiers. Le fait de négliger d'effectuer l'entretien normal et de routine de ce radiateur, les dommages causés lors de l'expédition ou liés à des insectes, oiseaux ou autres animaux ou encore à tout dommage résultant des conditions météorologiques ne sont pas couverts par cette garantie. En outre, cette garantie limitée ne couvre par les dommages au fini, comme les égratignures, les traces de coups, la décoloration, la rouille ou d'autres dommages résultant des conditions météorologiques, et survenus après l'achat.

Tous les frais de transport pour le retour de produits ou de pièces endommagés sont à la charge de l'acheteur. Sur réception de l'article endommagé, **Pinnacle Products International, Inc.** examinera l'article en question et déterminera s'il est défectueux. **Pinnacle Products International, Inc.** réparera ou remplacera et retournera l'article en port payé.

Si **Pinnacle Products International, Inc.** détermine que l'article est dans un état d'utilisation normale, ou n'est pas défectueux, il sera retourné en port dû. Cette garantie limitée se substitue à toute autre garantie expresse. **Pinnacle Products International, Inc.** renonce à toute garantie de produits achetés auprès de vendeurs autres que des détaillants ou distributeurs agréés.

CETTE GARANTIE EXPRESSE EXPIRE APRÈS UNE PÉRIODE D'UN (1) AN, **Pinnacle Products International, Inc.** RENONCE À TOUTE GARANTIE TACITE INCLUANT, ENTRE AUTRES, TOUTE GARANTIE TACITE DE QUALITÉ MARCHANDE ET D'ADAPTATION À UN USAGE PARTICULIER. EN OUTRE, **Pinnacle Products International, Inc.** N'EST AUCUNEMENT RESPONSABLE ENVERS L'ACHETEUR NI ENVERS TOUT TIERS POUR UN QUELCONQUE DOMMAGE PARTICULIER, INDIRECT, PUNITIF, ACCESSOIRE OU FORTUIT. **Pinnacle Products International, Inc.** n'assume aucune responsabilité pour un quelconque défaut causé par des tiers. Cette garantie limitée donne à l'acheteur des droits légaux spécifiques ; un acheteur pourrait jouir d'autres droits suivant le lieu où il réside. Certaines Provinces ne permettent pas l'exclusion ou la limitation des dommages spéciaux, accessoires ou indirects ni une limitation de la durée d'une garantie ; les limitations ci-dessus pourraient donc ne pas s'appliquer à l'acheteur.

**Pinnacle Products International, Inc.** n'autorise aucune personne ni entreprise à assumer en son nom une autre obligation ou responsabilité quelconque liée à la vente, à l'installation, à l'utilisation, à l'enlèvement, au retour ou au remplacement de ses appareils et aucune représentation de cette nature ne lie en quelque manière que ce soit **Pinnacle Products International, Inc.**

Toujours veiller à préciser les numéros de modèle et de série lors de toute réclamation auprès de **Pinnacle Products International, Inc.** Pour ce faire, utiliser l'espace prévu ci-dessous à cet effet pour noter ces informations.

Register Your Product Online at: [http://www.remingtonheater.com/Product\\_Registration.php](http://www.remingtonheater.com/Product_Registration.php)

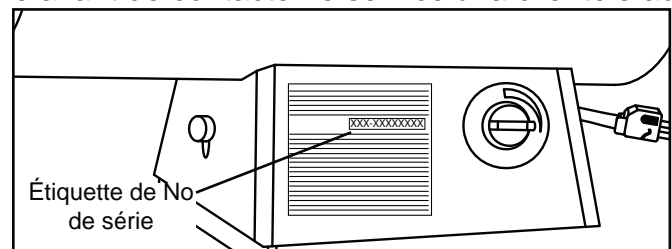
### Repérage du Numéro de Série:

Le numéro de série se trouve sur une étiquette blanche apposée du côté droit du couvercle de l'appareil de chauffage. Il commence par les lettres « HGF » suivie de 8 autres chiffres. Par exemple: 13H12345678. Prenez note de votre numéro de série avant de contacter le service à la clientèle au 800-641-6996.

No de Modèle: \_\_\_\_\_

No de Série: \_\_\_\_\_

Date de L'achat: \_\_\_\_\_







---

**© 2015 Pinnacle Products International, Inc.  
668 Stony Hill Road #302 Yardley, PA 19067 USA • Toll Free (800)-641-6996  
Fax: (215)-891-8461 • Web: [www.pinnacleint.com](http://www.pinnacleint.com) • Email: [info@pinnacleint.com](mailto:info@pinnacleint.com)**