

TR12 TRENCHER

PARTS DIAGRAMS

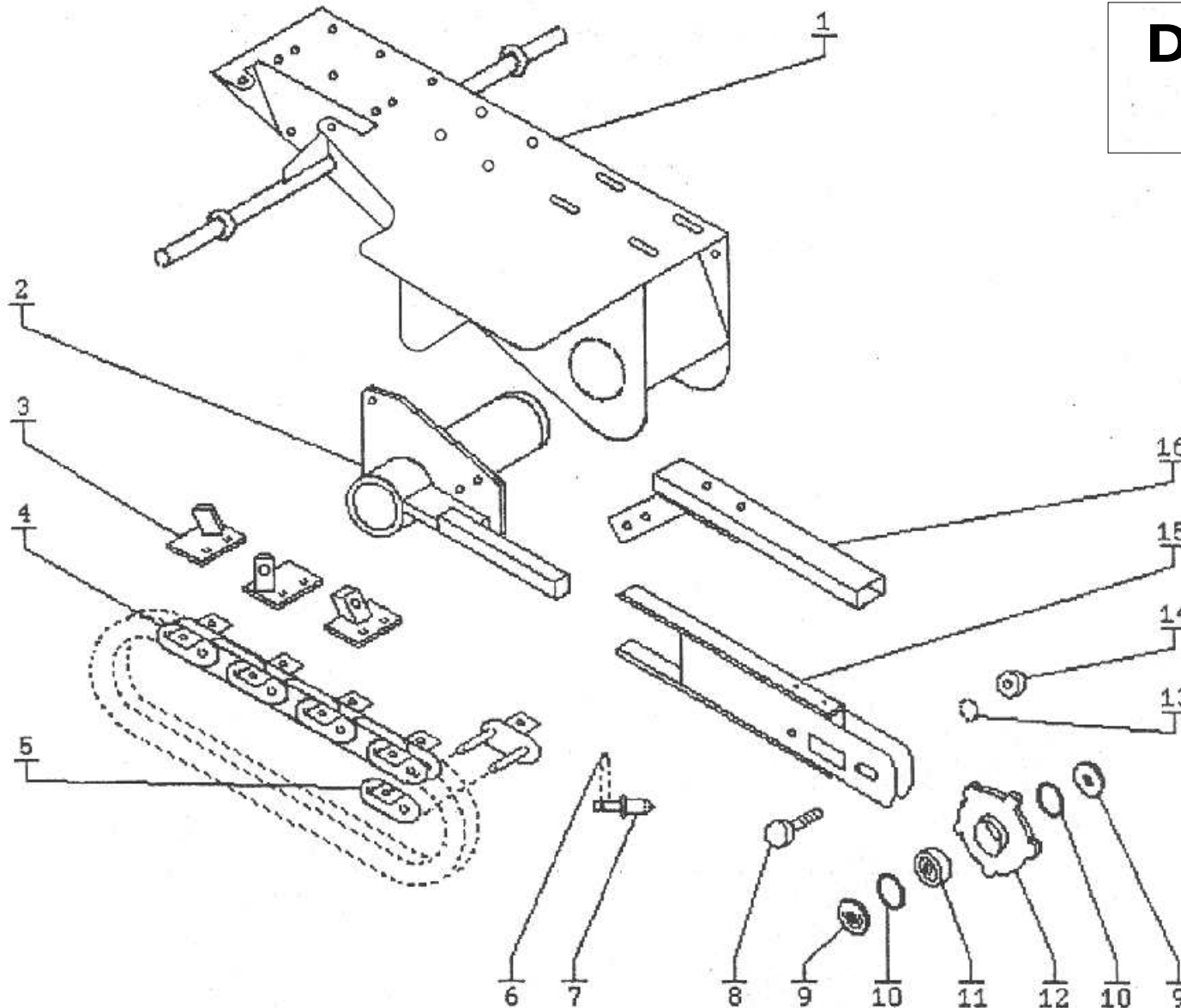


Tracmaster Ltd | Sovereign Centre | Victoria Road | Burgess Hill | RH15 9LR | UK

Tel: +44 (0)1444 247689 | F: +44 (0)1444 871612 | www.tracmaster.co.uk | spares@tracmaster.co.uk

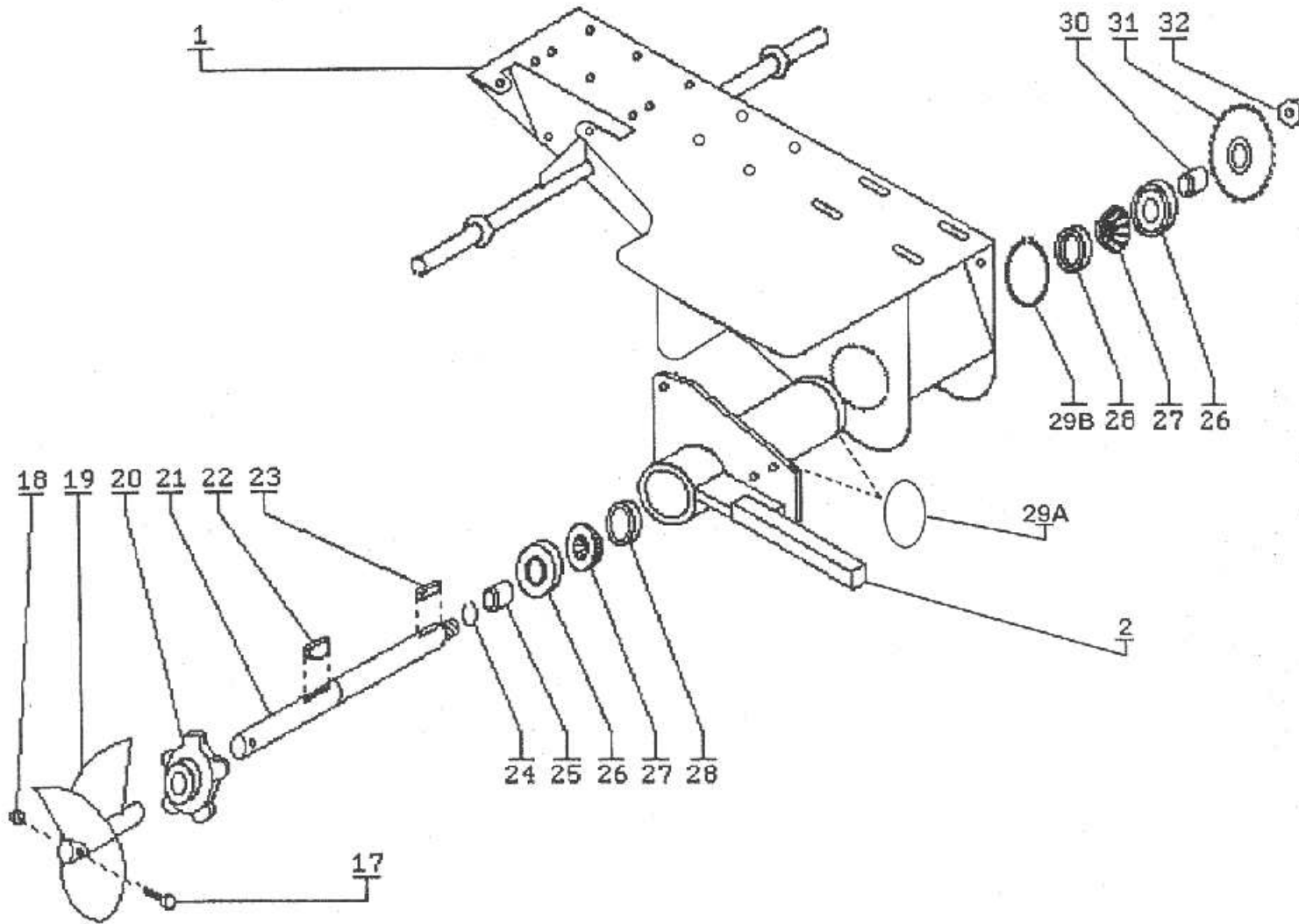
CAMON TR12 TRENCHER

Digging Bar & Chain



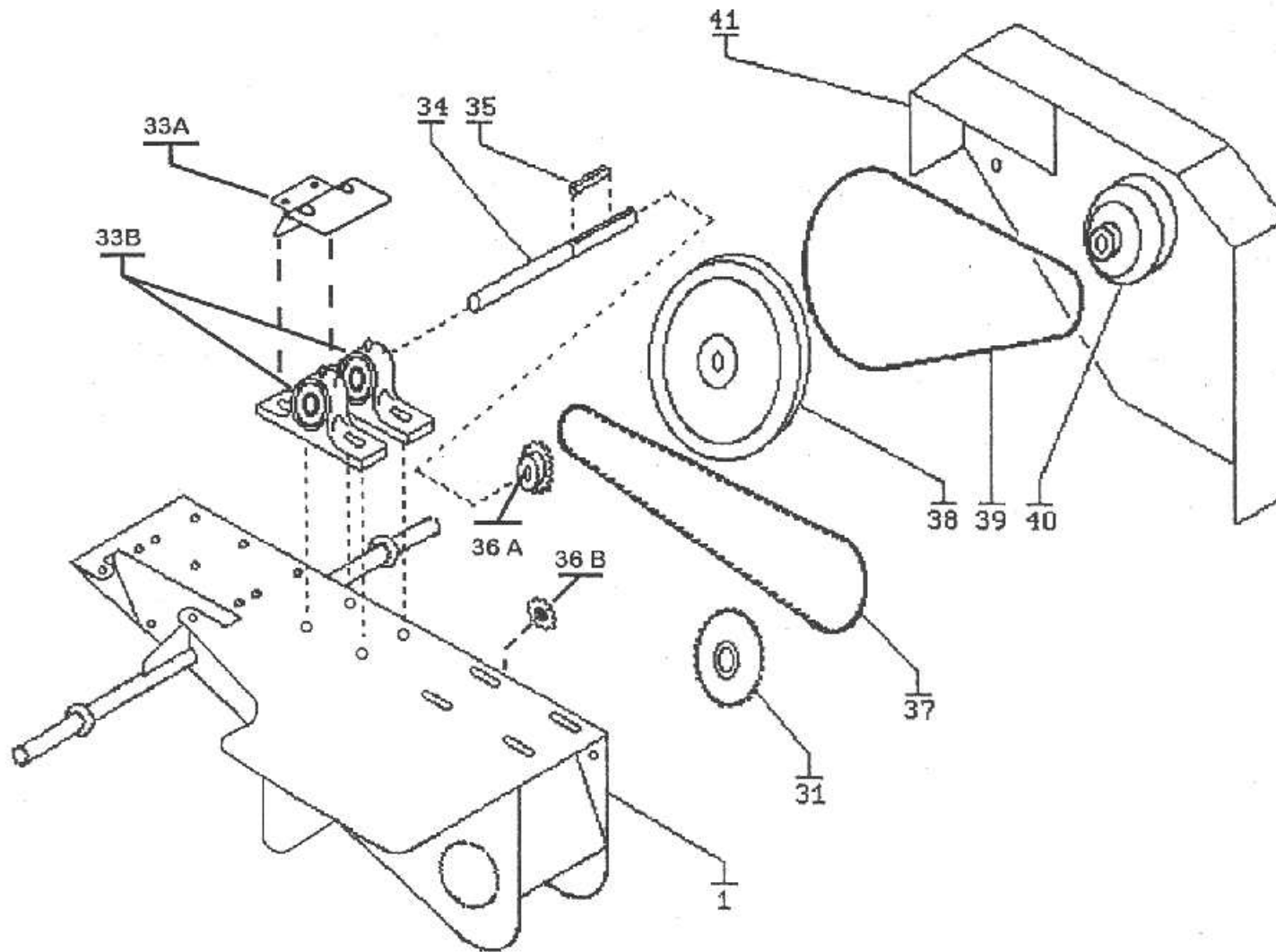
CAMON TR12 TRENCHER

**Main
Shaft**



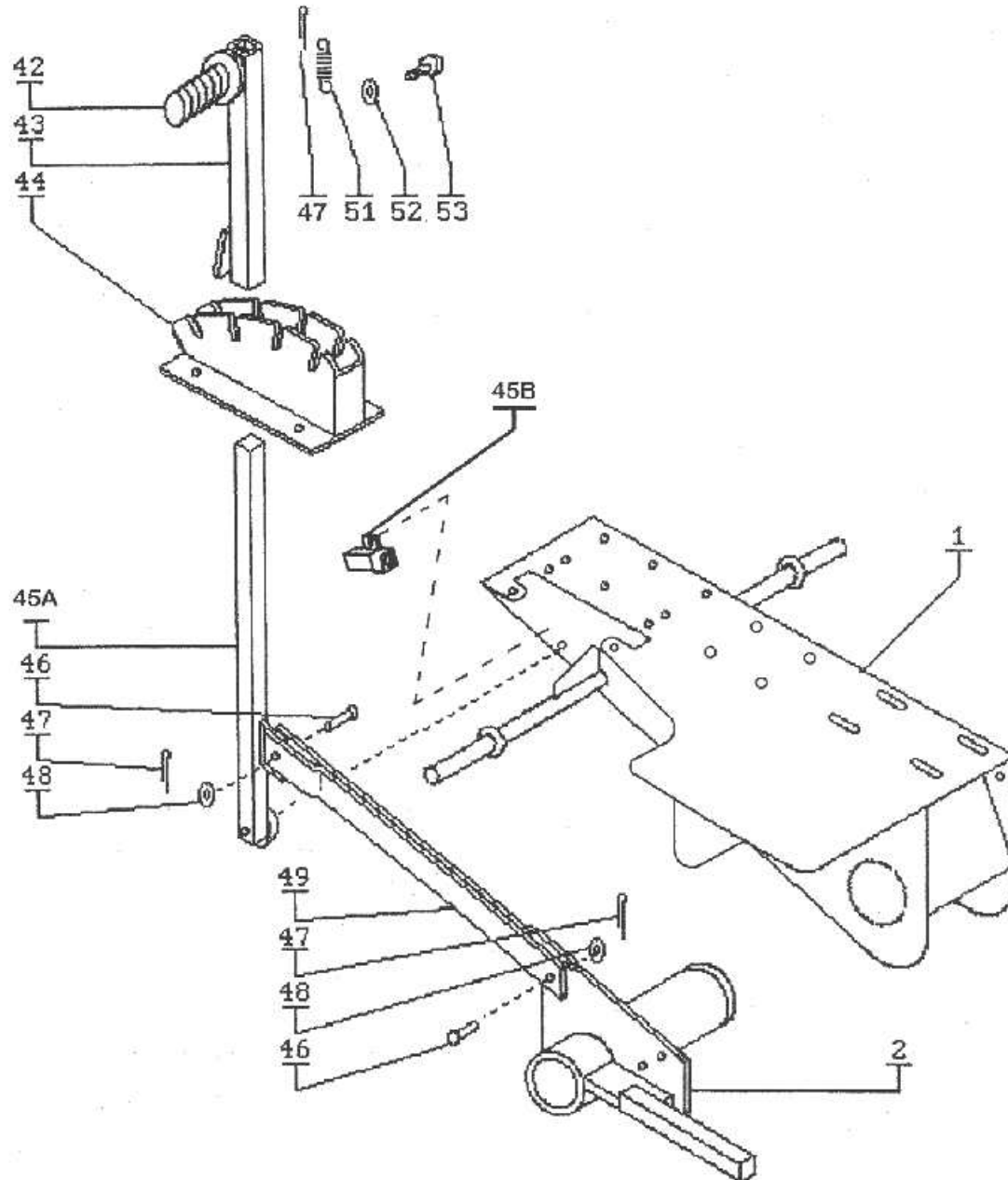
CAMON TR12 TRENCHER

**Power
Transmission**

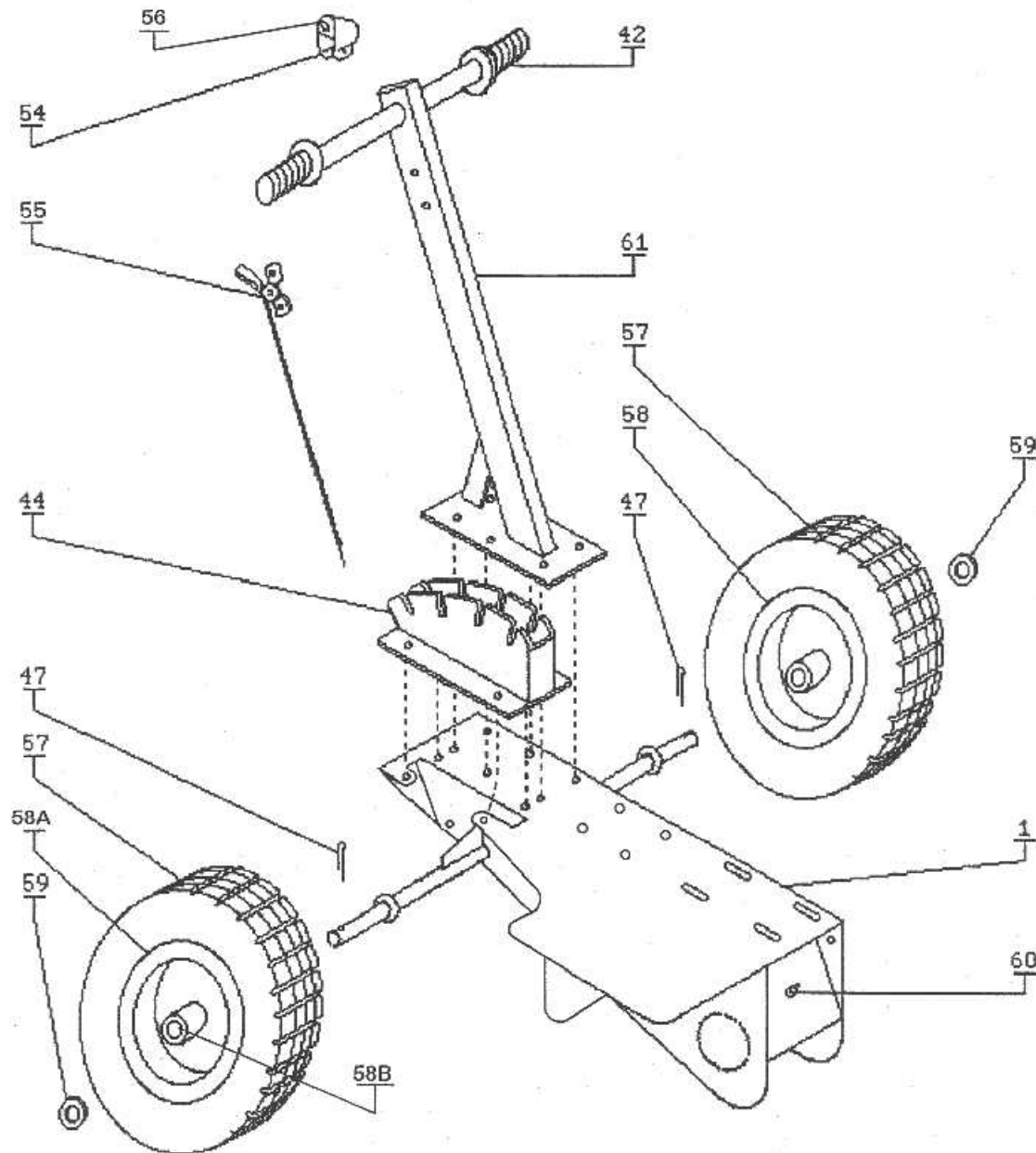


CAMON TR12 TRENCHER

**Depth
Control**



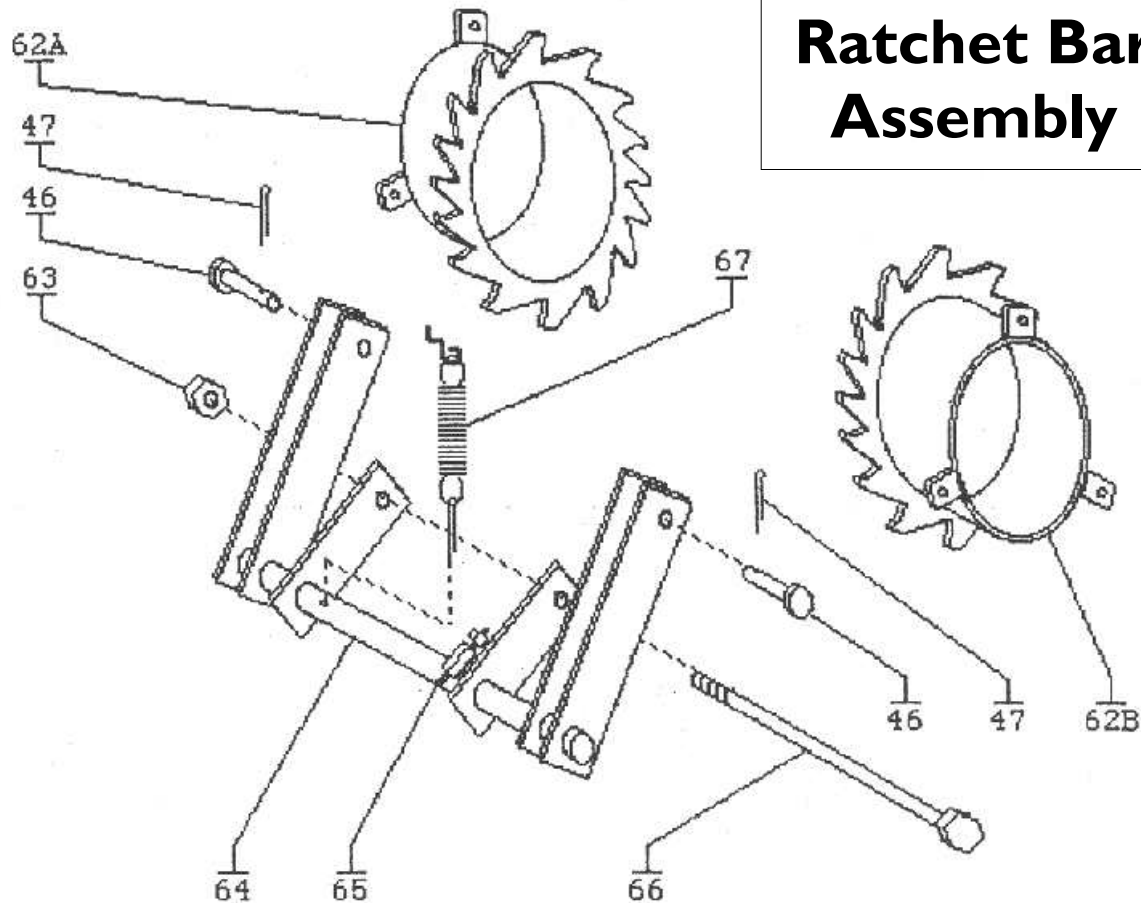
CAMON TR12 TRENCHER



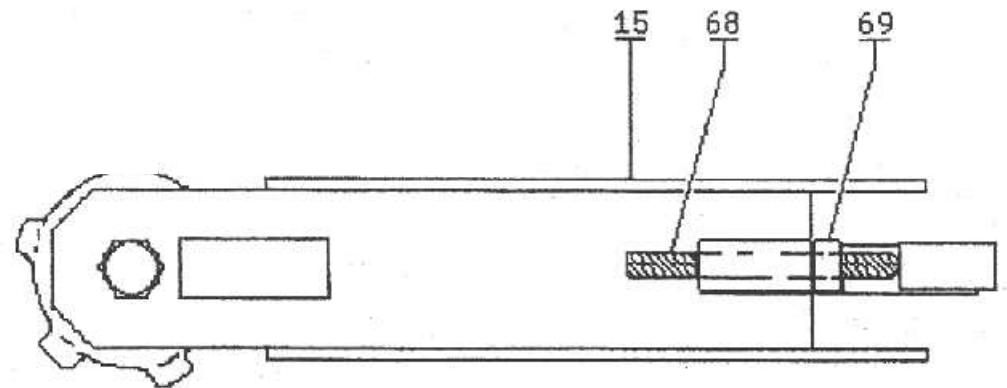
**Main
Body**

CAMON TR12 TRENCHER

Ratchet Bar Assembly



Digging Bar Adjustment



<u>Diag No</u>	<u>Part No</u>	<u>Description</u>	<u>Diag No</u>	<u>Part No</u>	<u>Description</u>
1	4100	Trencher Body	36A	4325	Primary Sprocket
2	4230	Trunion	36B	4355	Idler Sprocket
3	4171	Left Bit Holder	37	4330	Primary Chain
	4170	Right Bit Holder	38	4335	Sheave
	4172	Centre Bit Holder	39	4340	Drive Belt
4	4130	Digging Chain	40	900	Centrifugal Clutch
5	4130-1	Digging Chain Master Link	41	4350	Belt Guard
6	4176	Bit Retaining Clip	42	6100	Handlebar Grip
7	4175	Carbide Tipped Bit	43	4400	Depth Control Handle
8	1704	Driven Sprocket Axle	44	4405	Depth Locator
9	4167	Grit Washer (Driven Sprocket)	45A	4410	Depth Control Lever
10	4166	Spiral Ring	45B	CE001	Plunger Switch
11	4156	Driven Sprocket Bearing	46	1514	Clevis Pin
12	4161	Driven Sprocket	47	4420	Cotter Pin
	4161-A	Driven Sprocket Assembly	48	1503	Washer
13	1710	Lock Washer	49	4425	Connecting Rod
14	1706	Driven Sprocket Axle Nut	50	4420	Cotter Pin
15	4140	Digging Boom	51	4435	Depth Control Spring
16	4700	Digging Chain Guard	52	4430	Lower Spring Washer
17	1510	Auger Retaining Bolt	53	4431	Depth Control Handle Stop (Bolt)
18	1518	NC Self Locking Nut	54	4SS6	Switch Mount
19	4200	Side Delivery Auger	55	5551	Throttle Assembly
20	4205	Digging Chain Drive Sprocket	56	90ZK	Switch w/Mount
21	4210	Main Shaft	57	4531	Tyre
22	21	Woodruff Key	58A	4532	Rim
23	22	Square Key	58B	4530-1	Bushing (2 per rim)
24	4215	Main Shaft Snap Ring		4530	Tyre & Rim Assembly
25	4220	Wide Main Shaft Spacer	59	1700	Axle Washer
26	4225	Grit Seal (3 required)	60	4103	Zek Fitting
27	08125	Timken Cone (Bearing)	61	4510	Handlebar
28	08231	Timken Cup	62A	4601L	Left Wheel Ratchet
29A	4232	Trunion "O" Ring (2 required)	62B	4601R	Right Wheel Ratchet
29B	4235	Trunion Tube Snap Ring	63	1518	Nylock Nut
30	4221	Narrow Main Shaft Spacer	64	4602	Ratchet Bar
31	4240	Main Shaft Drive Sprocket	65	4604	Ratchet Bar Adjustment Nut & Bolt
32	1750	Main Shaft Nut	66	1525	Bolt
33a	4316	Pillow Block Cover	67	4603	Ratchet Bar Tension Spring 733
33b	4305	Pillow Block	68	4142	Digging Bar Adjustment Bolt
34	4315	Mandrel Shaft	69	4141	Digging Bar Lock Nut
35	23	Square Key			