

# ALP-Lifts

Lifts for personnel and materials



**Böcker**  
MY WAY TO THE TOP





# More than 60 years of height access systems

## Made in Germany

Only a short time after the company was established in 1958, master smith Albert Böcker developed his first great innovation: the hydraulic inclined construction lift, subsequently followed by the first inclined construction lift with patented knee joint. Since then, we are constantly working to adapt our products even more precisely to the needs of our clients and to continue to set new standards regarding performance, quality and safety in the area of height access systems. With the launch of the first mobile truck-mounted crane in aluminium lightweight construction in 1989, Böcker thus entered crane technology as a pioneer. The first aluminium trailer crane followed in 1997 and the range of product was expanded in 2001 with rack and pinion hoists. With more than 60 years of experience in crane, lift as well as rack and pinion technology, we are undoubtedly specialists in height access systems made in Germany.



## Safety and flexibility with ALP-Lifts for personnel and materials

ALP-Personel and Material-Lifts were added to the Böcker product portfolio in 1983. Böcker ALP-Lifts are ideal for lifting persons or smaller loads, in particular for facade works, maintenance, cleaning and assembly works indoors as well as in outdoor areas. They can be transported by just one person and set up and operated quickly and safely even under cramped conditions.

# Böcker – My way to the top

To continuously develop our cranes, hoists and ALP-Lifts further, we monitor not only the latest technical advances, but we are also in close communication with representatives of most diverse sectors, as only if we are aware of the specific requirements of trade and industry, we can develop lifts for personnel and materials which not only meet the expectations of our clients, but exceed them. With success: To our clients, we are the quality and innovation leader in the height access systems sector.

## The Böcker family company – where tradition meets innovation

Operating internationally with a global presence, Böcker not only stands for high tech and know-how, as a family business with a firm commitment to the German location we also stand for tradition and a sense of responsibility. Our machines are technical and quality leaders in their fields – a fact due not least to our over 600 highly qualified, long-serving and loyal employees. That is why we will remain true to our mission statement also in the future: People always take centre stage – whether they're clients or employees.











Betriebsgelände  
Achtung  
Unterweckfahr  
Fahrtrichtung  
beachten  
Schrägl-  
geschwindigkeit  
fahren  
Achtung  
Debetapler

Auto WREIT &  
SERVICE-CENTER

P nur Besucher

# More up-to date than ever

## Personnel and material lifts

### Benefits at a glance

#### Efficiency

- Lightweight aluminium construction ensures low unladen weight and high payloads
- Compact dimensions with flexible working heights

#### Speed

- Operational safely and quickly thanks to short assembly times
- Easy transportation thanks to compact design

#### Comfort

- Manoeuvrable and easy to handle, thus can be used everywhere
- Thanks to their precise foot control, personnel lifts can be extended to the desired height, so that the operator can use his hands for material and tools

#### Versatility

- Virtually unlimited number of applications, indoors as well as in outdoor areas
- Various accessories for even more versatility

#### Service

- Nationwide comprehensive service also after purchase
- Maintenance contracts including all required tests and warranty extension to five years

#### Quality

- Made in Germany
- Use of exclusively metrical construction materials

Under the brand name ALP-Lift, Böcker has been well-known for its personnel and material lifts for more than 35 years. The proven design of extremely compact, lightweight devices with above average payloads and hoisting height is today more modern than ever before. Take advantage of the ALP-Lifts for the conveyance of personnel and material for your installation, repair, maintenance or cleaning works and benefit from the advantages of the equipment.



# PERSONNEL LIFTS

Safely and quickly operational





# Ideal for repairs and maintenance works



For maintenance and repair work, the ALP-Personnel-Lifts are practically indispensable, in particular in enclosed rooms with high ceilings. Whether installation, repair, maintenance or cleaning, with the Böcker ALP-Lifts you will reach the optimal operating height at all times. On-site, the equipment is immediately operational and thanks to user-friendly operation, they offer maximum efficiency and high operating speeds.

## Benefits at a glance

### Incredible performance

- Working height up to 14 m
- With payloads of up to 140 kg, you can also take tools and materials with you
- Optimally suitable for occasional work at walls or the ceiling

### Simplest handling

- Precise control either via foot or hand control
- 230 V drive

### Convenient transport

- Integrated loading device facilitates loading into transporters or onto trailers
- Fits also through narrow corridors, standard doors or in lifts



FOOT- OR HAND CONTROL  
INCLUDED AS STANDARD



## PHC The compact lift

- Small design below 2 m and narrow chassis below 80 cm
- Fits through any standard door in upright position
- Extremely low unladen weight
- Optional with shortened outriggers (PHCI version) or electrically extendable cage (XK version)
- For indoor and outdoor use



## PH The high-performance lift

- Reaches considerable working heights up to 14 m
- Fits through any standard door when tilted
- Optionally with shortened outriggers (PHCI version)
- For indoor and outdoor use



## PHC-HI The industrial lift

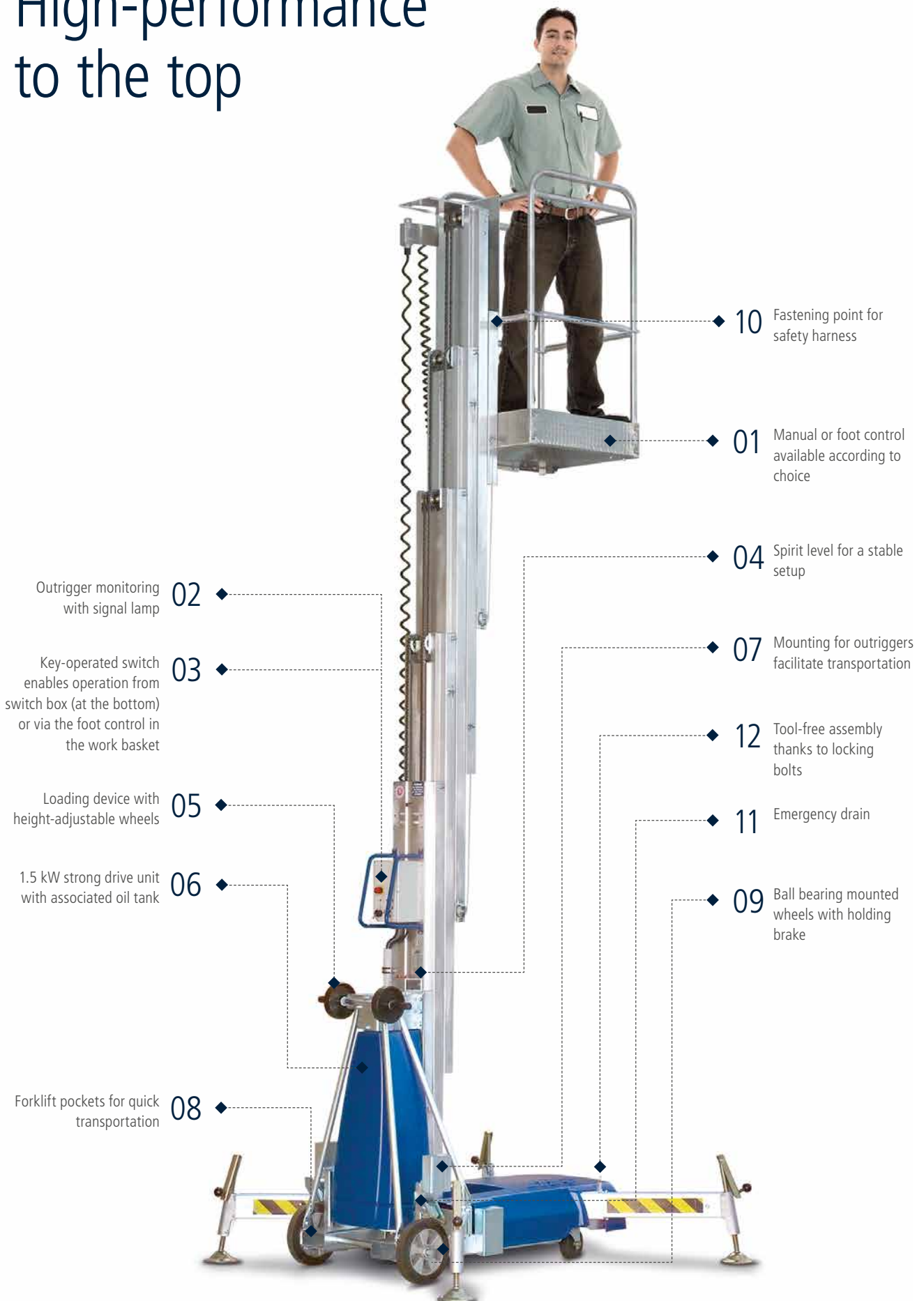
- Without outriggers for the use in narrow corridors
- With integrated lift truck
- For indoor use



## PHC 1000 EU The Uni lift

- Simple assembly between seating rows thanks to special outriggers
- For ascending seating rows or on level floors indoors

# High-performance to the top



◆ 10 Fastening point for safety harness

◆ 01 Manual or foot control available according to choice

◆ 04 Spirit level for a stable setup

◆ 07 Mounting for outriggers facilitate transportation

◆ 12 Tool-free assembly thanks to locking bolts

◆ 11 Emergency drain

◆ 09 Ball bearing mounted wheels with holding brake

◆ 02 Outrigger monitoring with signal lamp

◆ 03 Key-operated switch enables operation from switch box (at the bottom) or via the foot control in the work basket

◆ 05 Loading device with height-adjustable wheels

◆ 06 1.5 kW strong drive unit with associated oil tank

◆ 08 Forklift pockets for quick transportation





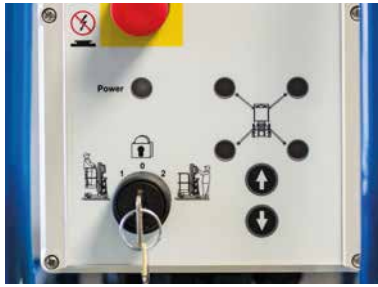
01



02

## ALP-Personnel-Lifts PHC and PH

With the ALP-Personnel-Lifts PHC and PH, the operator reaches the correct working height quickly and safely during work activities in and at buildings. They are ready to use in the shortest of time, and due to their compact measurements and low unladen weight, they can be transported easily. The lifts have extensive standard equipment, which ensures easy handling.



03



04



05



06



07



08



09



10

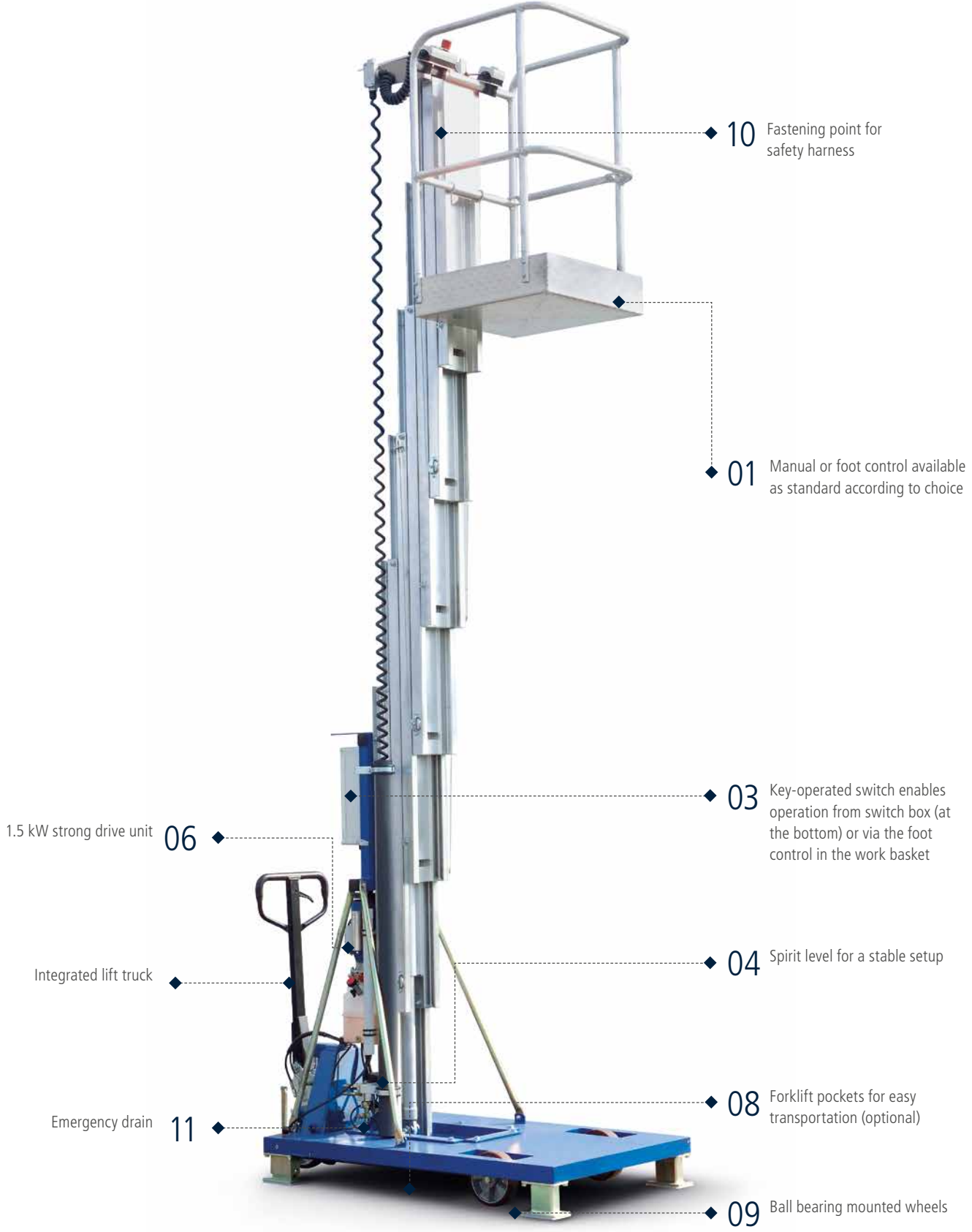


11



12

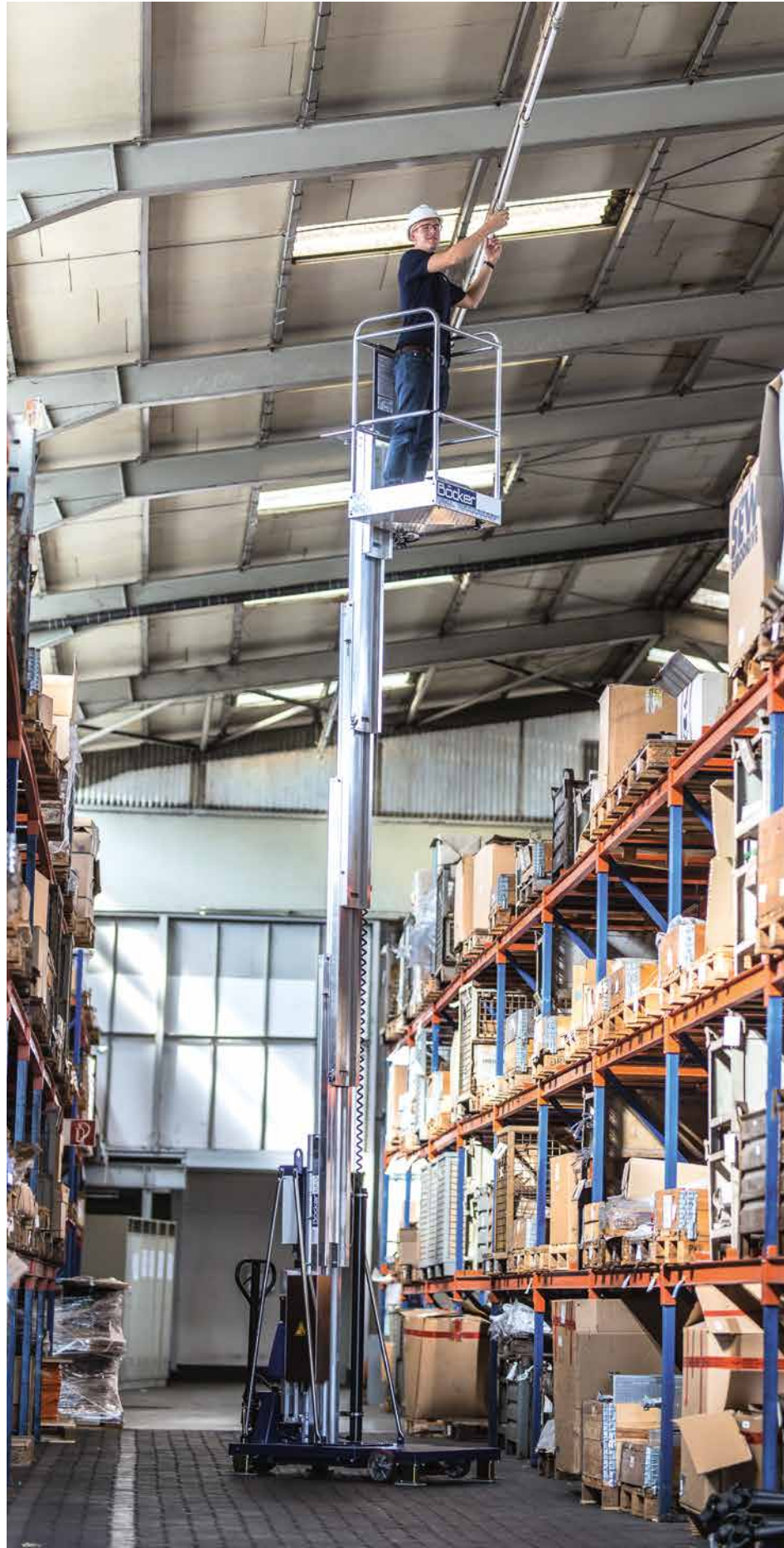
# Maximum performance in the smallest of spaces





## ALP-Personnel-Lift PHC-HI

The ALP-Personnel-Lift PHC-HI with integrated lift truck is designed for industrial use indoors. During setup, it is space-saving on-site, as it does not require any outriggers due to its unladen weight. Due to its minimal space requirement, it is ideally suited for works in narrow corridors or between industrial installations.



# Comprehensive accessories

The comprehensive range of accessories for all ALP-Personnel-Lifts by Böcker leaves virtually nothing to be desired. Upon the request of the client, we also produce special solutions.



Power supply in the work cage



Outriggers for outdoor use (except PHC-HI)



Special wheels for many areas of use (except PHC-HI)



Crane eye at the mast for secure transportation



Tool box



Steering wheels for transverse transport (except PHC-HI)



Mobile counterweights for the use of shorter outriggers for indoor use (except PHC-HI)



PHCI version: Fixed ballast weights for the application of shorter outriggers indoors and outdoors (except PHC-HI)



Protective cover



# Easy transport

The ALP-Personnel-Lifts PH and PHC are manoeuvrable, easy to handle and useable virtually anywhere indoors as well as outdoors. Due to their unladen weight and the compact measurements, they can easily be transported to the place of use by one person. With a low overall height, they fit through a standard door, narrow corridors or in lifts in an upright or tilted position.

Each lift has forklift pockets as standard and can be handled conveniently with a forklift. The integrated loading device facilitates loading into transporters or onto a trailer.

The ALP-Personnel-Lift PHC-HI is permanently mounted on a lift truck to enable a fast change of position.







# Working without mains power

For the mobile use on construction sites or in places without power supply, ALP-Lifts in the PH, PHC and PHC-HI series can be supplied optionally with lithium-ion battery. The lift can be used even while charging. There is a digital display directly at the switch box for the monitoring of the battery charge level. The ALP-Lift can be operated with 100 % performance even if the battery charge level is low.

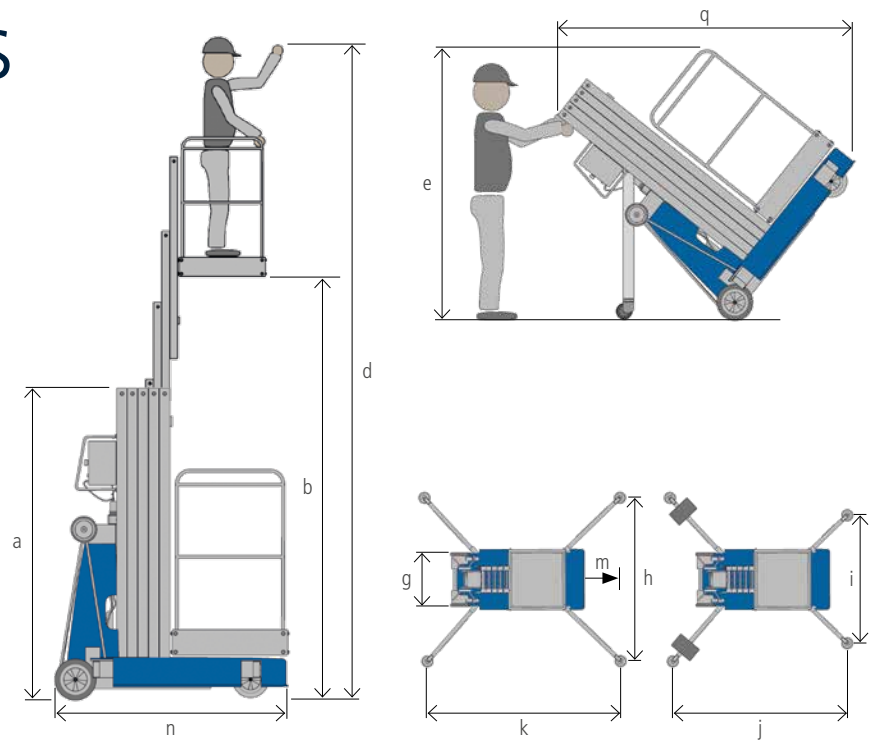


## Benefits at a glance

- Low additional weight of only 10 kg in comparison to 230 Volt drive
- Battery can always remain installed, even if loaded horizontally
- The lithium-ion battery has a service life that is up to three times longer in comparison to conventional lead batteries.
- Charging time of only two hours
- The lithium-ion battery can also be charged during operation
- No memory effect due to the most modern charging technology
- Maintenance-free battery
- No loss of charging voltage during storage
- No loss of performance, full drive power is available even if battery charging level is low



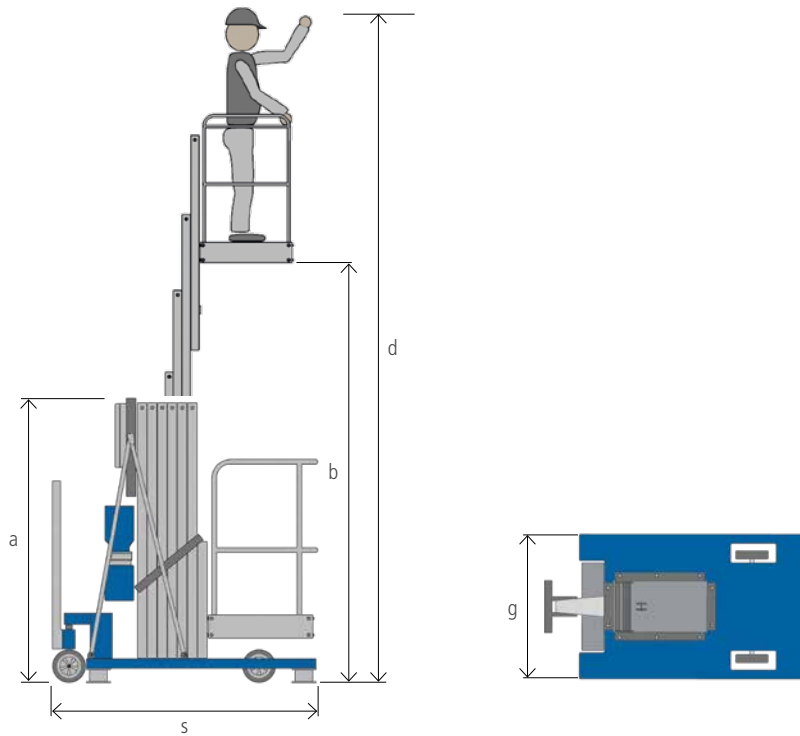
# Technical specifications



## Standard lift

Model		PHC 650	PHC 800	PHC 940	PHC 1100	PHC 1200	PH 1300	PH 1400
Working height [m]	d	6.50	8.00	9.45	10.85	12.00	12.75	14.00
Platform height [m]	b	4.50	6.00	7.45	8.85	10.00	10.75	12.00
Payload [kg]		140	140	140	140	135	135	115
<b>Dimensions</b>								
Overall height [m]	a	1.98	1.98	1.98	1.98	1.98	2.30	2.77
Width [m]	g	0.77	0.77	0.77	0.77	0.77	0.77	0.77
Length [m]	n	1.31	1.33	1.37	1.43	1.44	1.44	1.44
Length tilted [m]	q	–	–	–	–	–	2.40	2.85
Height tilted [m]	e	–	–	–	–	–	1.98	1.95
Footprint* indoors [m]	h x k	1.25 x 1.26	1.41 x 1.39	1.53 x 1.50	1.74 x 1.78	2.04 x 2.05	2.18 x 2.17	2.29 x 2.25
Footprint* indoors with ballast/counter weights [m]	h x k	–	1.25 x 1.26	1.25 x 1.26	1.41 x 1.49	1.61 x 1.67	1.81 x 1.85	2.04 x 2.05
Footprint* outdoors [m]	h x k	2.04 x 1.95	2.43 x 2.28	2.73 x 2.55	3.24 x 3.10	3.67 x 3.47	3.67 x 3.47	3.90 x 3.67
Footprint* outdoors in front of wall [m]	i x j	1.25 x 1.62	1.41 x 1.86	1.53 x 2,05	1.74 x 2,46	2.04 x 2.79	2.18 x 2.85	2.29 x 3.00
Wall clearance [mm]	m	90	100	90	210	340	400	450
Unladen weight without attachments [kg]		256	278	300	332	356	385	433
Unladen weight with attachments [kg]		293	318	342	376	408	390	437
Extending speed approx. [sec]		28	26	21	26	26	35	40





## Industrial lift

Model		PHC-HI 650	PHC-HI 800	PHC-HI 940	PHC-HI 1100
Working height [m]	d	6.57	8.00	9.40	10.80
Platform height [m]	b	4.55	6.00	7.40	8.80
Payload [kg]		140	140	140	140
<b>Dimensions</b>					
Overall height [m]	a	1.95	1.98	1.98	1.98
Width [m]	g	0.79	0.79	0.79	0.89
Length [m]	s	1.61	1.61	1.61	1.67
Footprint indoors [m]	g x s	0.79 x 1.61	0.79 x 1.61	0.79 x 1.61	0.89 x 1.67
Wall clearance [mm]		0	0	0	0
Unladen weight [kg]		650	672	699	814
Extending speed approx. [sec]		28	26	21	26

\* Measurements up to the centre of the support plate (diameter 14 cm)  
Subject to modifications to construction, weight and dimensions

# Electrically extendable basket

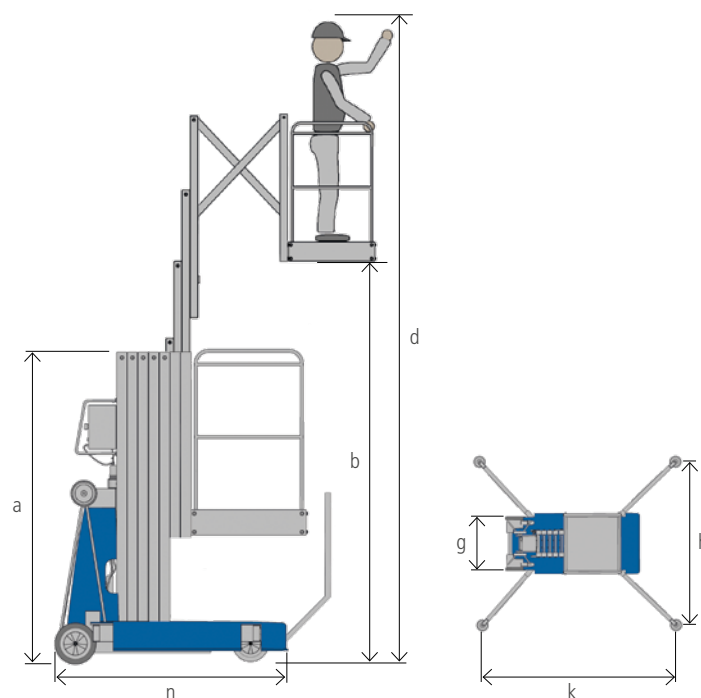
## ALP-Personnel-Lift PHCI-XK

The ALP-Personnel-Lift PHCI is also available as a model with an electrically extendable cage for carrying out work overcoming obstacles on-site. Above a basket base height of two metres the XK lift's scissor system extends the work cage horizontally by up to 60 cm so that the operator can reach the place of application across shelves, beams or other objects. The maximum working height is 8.90 m. The PHCI with extendable basket is designed for indoor use.





# Technical specifications

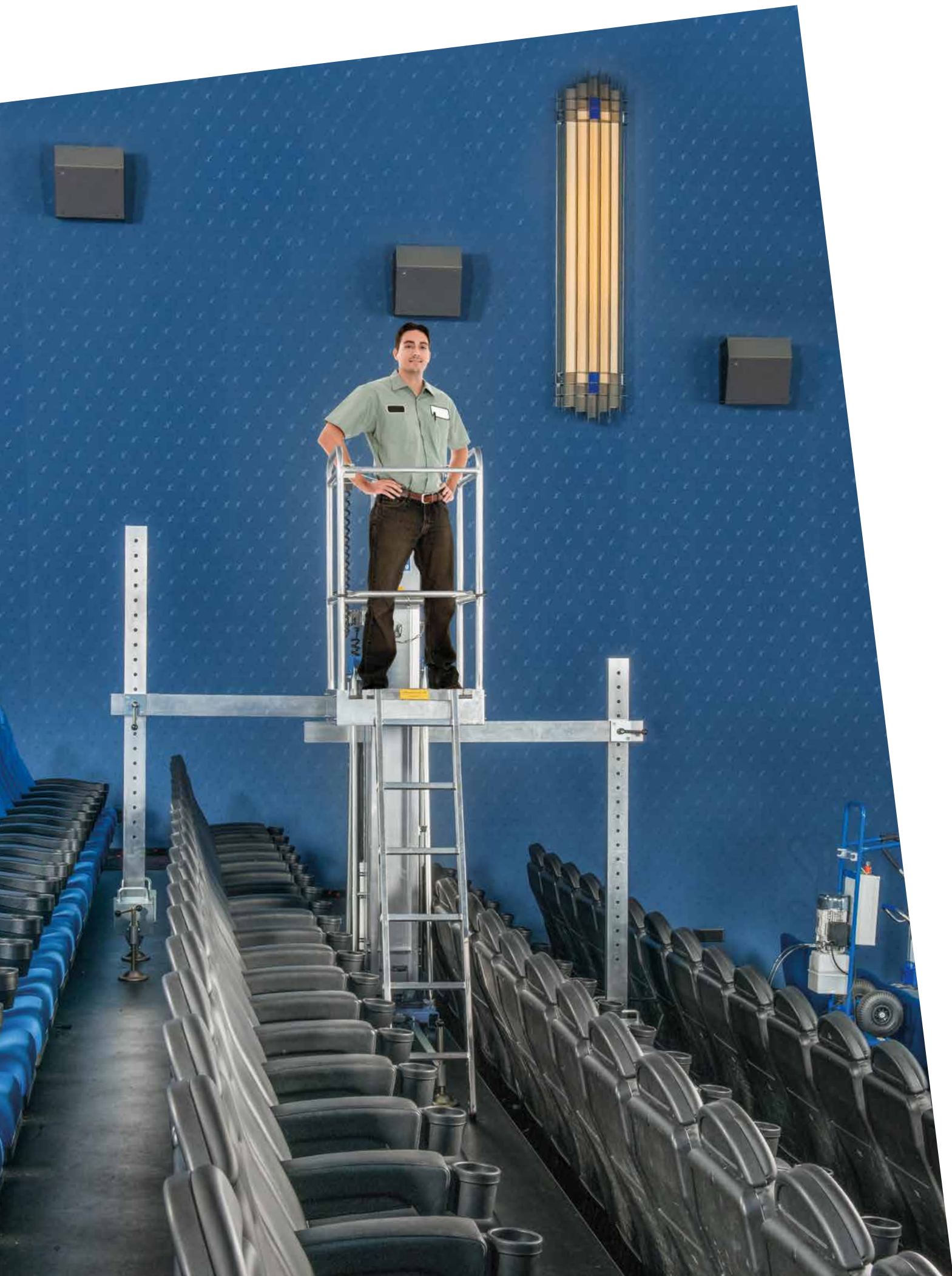


## Standard lift with extendable basket

Model	PHCI-XK 940	
Operating height [m]	d	8.92
Platform height [m]	b	6.92
Payload [kg]		136
<b>Dimensions</b>		
Overall height [m]	a	1.98
Width [m]	g	0.77
Length [m]	n	1.60
Footprint* indoors [m]	h x k	1.53 x 1.50
Footprint* outdoors [m]**	h x k	2.73 x 2.55
Unladen weight without outriggers and ballast weights [kg]		457
Weight of ballast weights [kg]		90

\* Measurements up to the centre of the support plate (diameter 14 cm)

\*\* Extending function of the basket not permitted during outdoor use  
Subject to modifications to construction, weight and dimensions





# The perfect solution for cinemas, theatres and lecture halls

UNIQUE ASSEMBLY  
BETWEEN SEATING ROWS

## ALP-Personnel-Lift PHC 1000 EU

The module-based ALP-Personnel-Lift PHC 1000 EU is the easiest opportunity to reach the ceiling of cinemas, theatres or lecture halls in a short time. Lighting and smoke detectors can thus be easily installed and replaced, however, all other work to the room ceiling is completed quickly, too. Where the erection of scaffolding would take half a day, the ALP-Lift is ready to use in as little as 15 minutes.

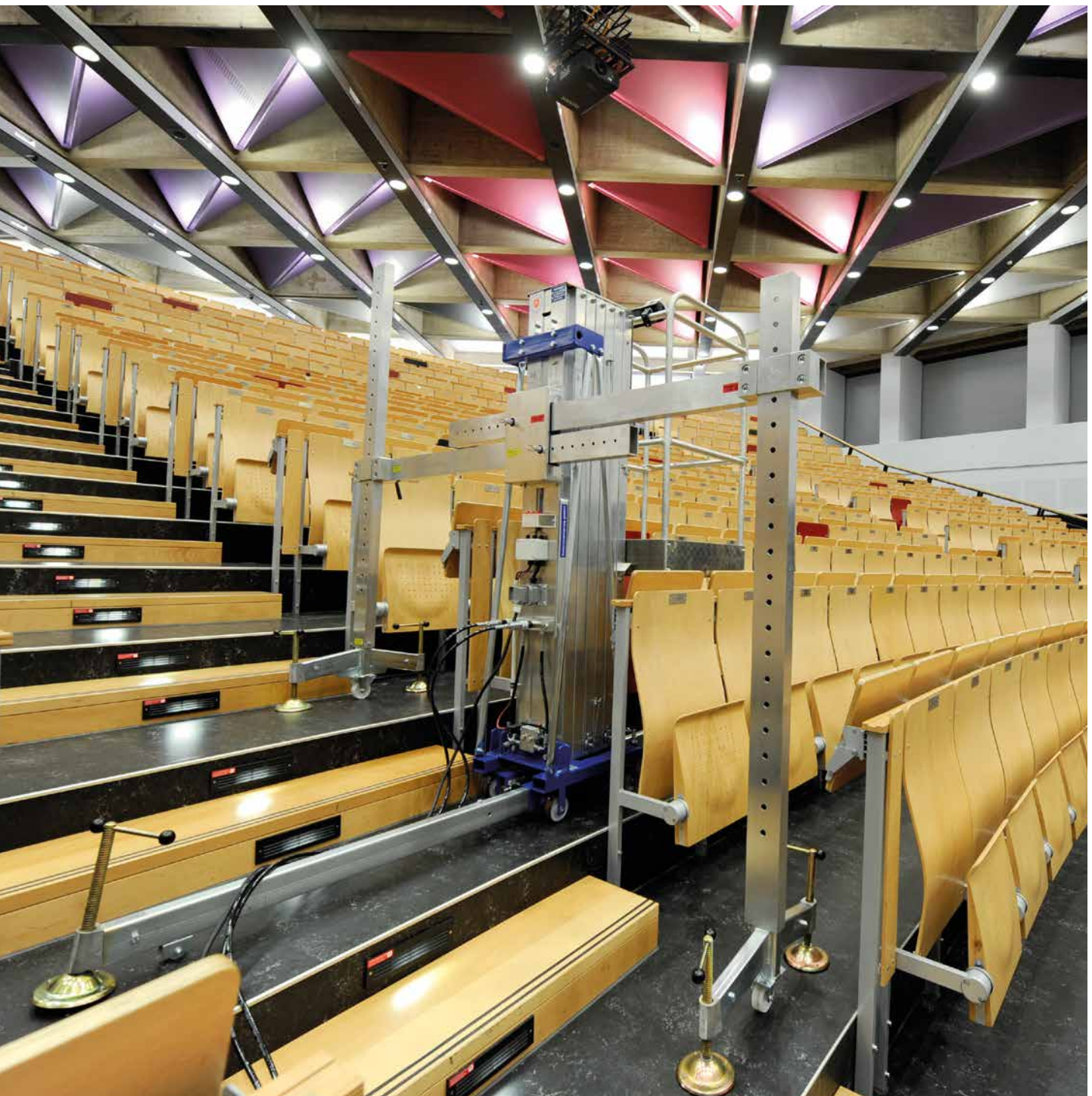
### Benefits at a glance

- Easy transport thanks to light aluminium components
- Easy assembly by only 2 persons in a short period of time
- Compact base unit fits perfectly between almost all seating rows
- Flexible outriggers for individual adaptation to the local conditions
- Ideal for assembly between ascending seating rows or to be used at the wall
- Optional extension for use on level surfaces



# Installation between seating rows

and use on level surfaces





## Flexible installation

With its special outriggers, the PHC 1000 EU can easily be set up between two rows of seats and enables safe and comfortable working at height, even with ascending seating.



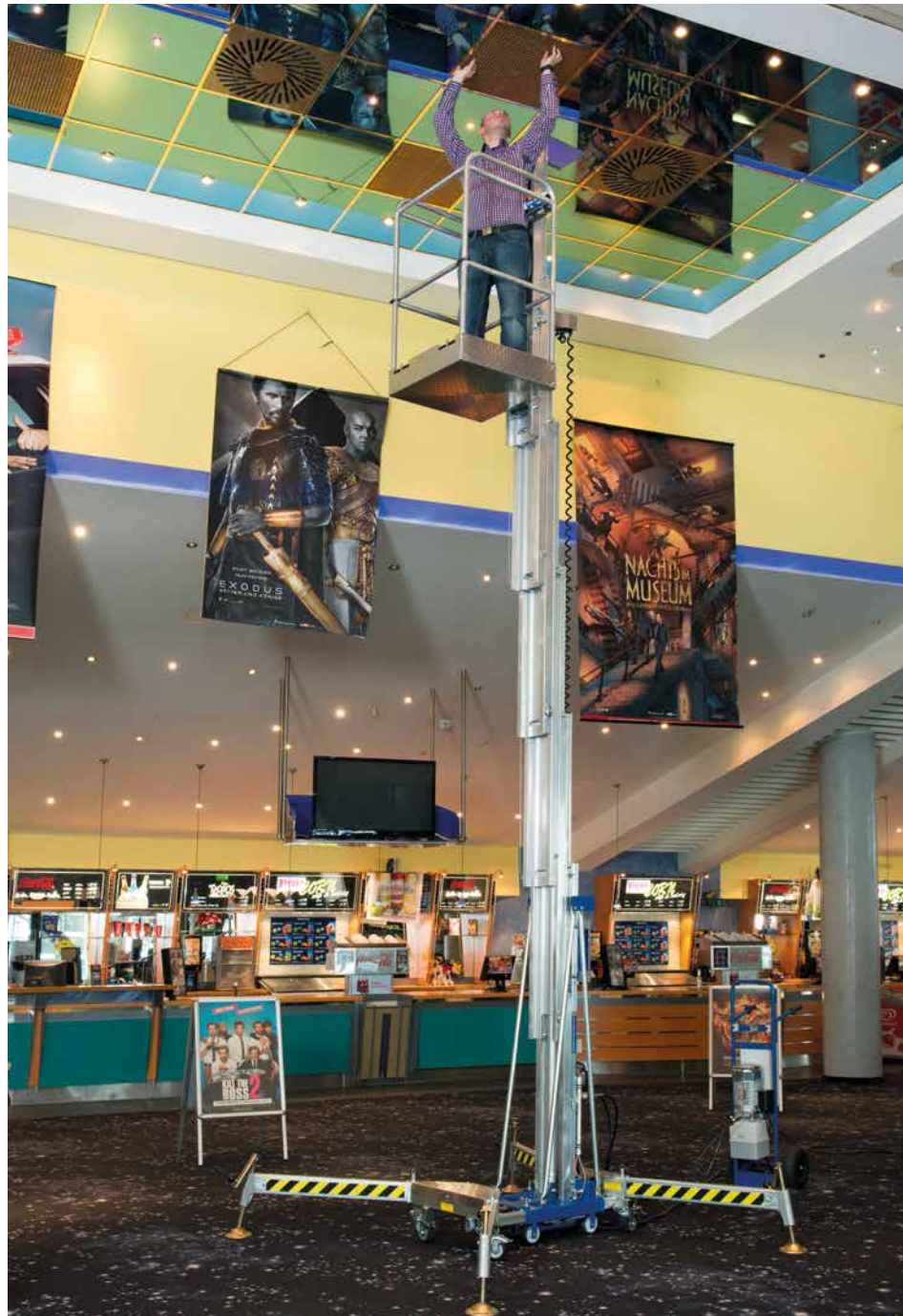
Fitting of the lower outriggers



Fitting of the horizontal outriggers



Clipping on the work basket



For the use on level surfaces, the ALP-Personnel-Lift PHC 1000 EU can be extended with an adapter unit with outriggers.

# Components and accessories



Mast system<sup>1)</sup>  
Transport frame for mast system<sup>1)</sup>



Counterweights<sup>1)</sup>



Outriggers for the assembly between seating rows<sup>1)</sup>  
Trolley for outriggers<sup>2)</sup> (Art.-No. 12700014)



Trolley with drive unit and work basket<sup>1)</sup>



Extension (Adapter unit + outriggers) for level surfaces<sup>2)</sup> (Art.-No. 109000114)  
Transport frame for extension<sup>2)</sup> (Art.-No. 990003751)



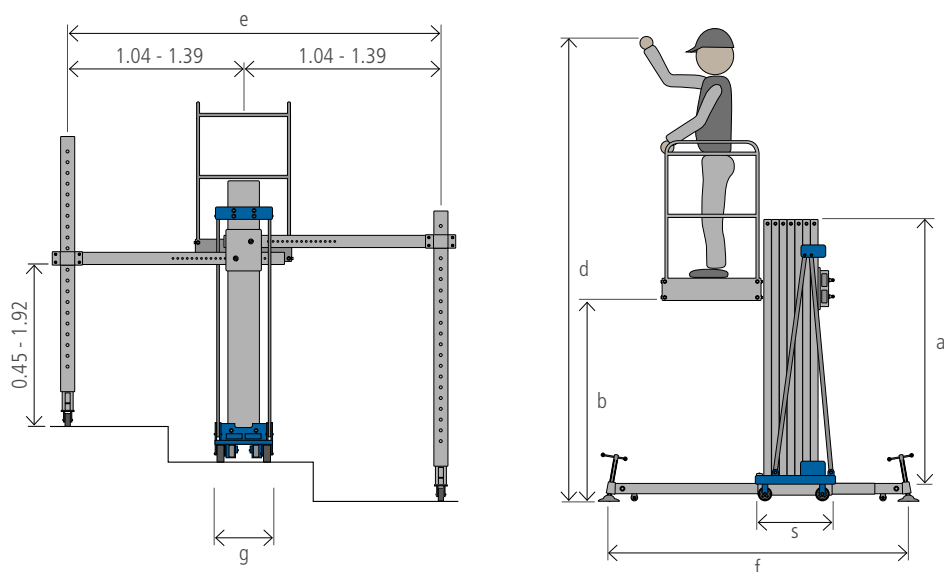
Stair climber<sup>2)</sup>  
(Art.-No. 48000371)

<sup>1)</sup> Included as standard in the base unit (Art.-No. 109000112)

<sup>2)</sup> Optional accessories



# Technical specifications



Model		PHC 1000 EU	PHC 1000 EU with extension
Working height [m]	d	10.5	10.5
Platform height [m]	b	8.5	8.5
Payload [kg]		140	140
<b>Dimensions</b>			
Overall height [m]	a	1,99	2.03
Width mast system [m]	g	0.41	0.71
Length mast system [m]	s	0.59	1.15
Footprint assembled indoors [m]	e x f	2.08 - 2.78 x 2.63	2.09 x 1.91
Wall clearance [cm]		0.45	0.40
Unladen weight without attachments and counterweights [kg]		218	276
Unladen weight with attachments (basket, outriggers, drive unit) without counterweights [kg]		370	397
Weight of counterweights [kg]		160	-
Extending speed approx. [sec]		26	26

Subject to modifications to construction, weight and dimensions

# MATERIAL LIFTS

Strong, compact and versatile





# Ideal for installation works

For installation works to ceilings or high walls, ALP-Material-Lifts hoist all kinds of different loads, such as ventilation ducts, air-conditioning systems or pipe systems, accurately to the correct place. The lifts score with convenient transport options and quick, safe assembly.



## Benefits at a glance

### Incredible performance

- Maximum lifting height up to 7.49 m
- Pay loads up to 500 kg

### Simple operation

- Assembly without tools
- Mechanical one-handed or optional double crank winch

### Convenient transport

- Integrated loading castors facilitate loading into transporters or onto trailers
- Compact dimensions for the transportation through narrow corridors, standard doors or in lifts





### ML The light device

- Smallest model with unladen weight of only 39 kg
- Carrying capacity of up to 100 kg
- Lifting height of up to 3.37 m
- For indoor use
- Compact design for the transport in the boot of the car



### LMJ The allrounder

- Unladen weight only 55 kg
- Carrying capacity of up to 120 kg
- Lifting height of up to 3.89 m
- Easy handling and transport in car



### LMC S4 The compact lift

- Carrying capacity of up to 250 kg
- Lifting height up to 6.25 m
- Easy to transport thanks to small dimensions



### LM S4.2 The classic lift

- Carrying capacity of up to 300 kg
- Lifting height up to 7.51 m
- Re-issued series of the proven model
- Also available with electro-hydraulic drive (LH)



### LMX The strong lift

- Carrying capacity of up to 500 kg
- Lifting height of up to 4.80 m
- Reinforced special profiles and high-performance winch



### LMX W The flexible lift

- Carrying capacity of up to 500 kg
- Lifting height of up to 4.80 m
- For work directly at walls and facades thanks to alternating chassis and counterweights

# For effortless assemblies

## ALP-Material-Lift ML

The ML model is the lightweight among the ALP-Material-Lifts and an all-rounder for assembly works, e.g. in air-conditioning and ventilation system construction. Due to its extremely small design and a minimal unladen weight, the lift is easily transported and deployed virtually everywhere for loads up to 100 kg. It can be dismantled without much space and without tools and thus easily fits into the boot of a car.







## ALP-Material-Lift LMJ

Everywhere where space is tight, the manoeuvrable ALP-Material-Lift LMJ demonstrates its strengths. With its small dimensions, it fits into staircases around every corner and can be transported to the place of use by just one person. Thanks to compact outriggers, the LMJ requires a wall clearance of only 15 cm and thus is suitable for applications such as the installation of awnings.



# Small and compact for maximum flexibility

## ALP-Material-Lift LMC S4

The ALP-Material-Lift LMC S4 with its small transport width and low overall height is extremely space-saving and easy to manoeuvre. It fits through virtually any door and can also be transported in an upright position. During use, the LMC S4 requires little space and can be optimally used on-site. At the same time, the units are convincing with high performance and extensive lifting heights. The operation of the lifts by way of manual winches is particularly simple and user-friendly.

Manual winch with brake function for convenient and precise lifting - with optional double crank winch

Loading castors for transportation in horizontal position

Safe and fast loading due to standard forklift pockets

Large transport wheels for convenient transportation in tilted position

Two lateral outriggers with mounting available as an option - standard from 5 m lifting height

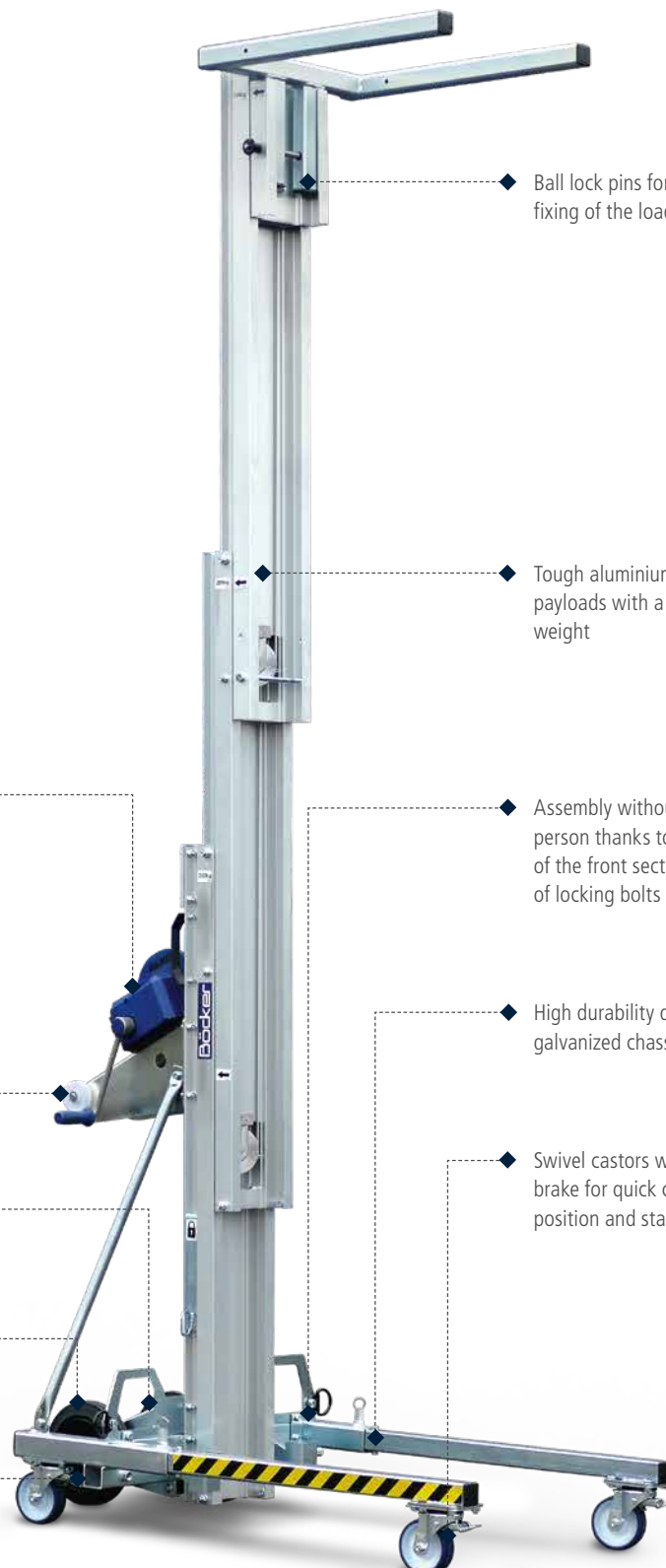
Ball lock pins for convenient fixing of the load fork

Tough aluminium rails for high payloads with a low unladen weight

Assembly without tools by one person thanks to the locking of the front sections by means of locking bolts

High durability due to fully galvanized chassis

Swivel castors with locking brake for quick change of position and stability



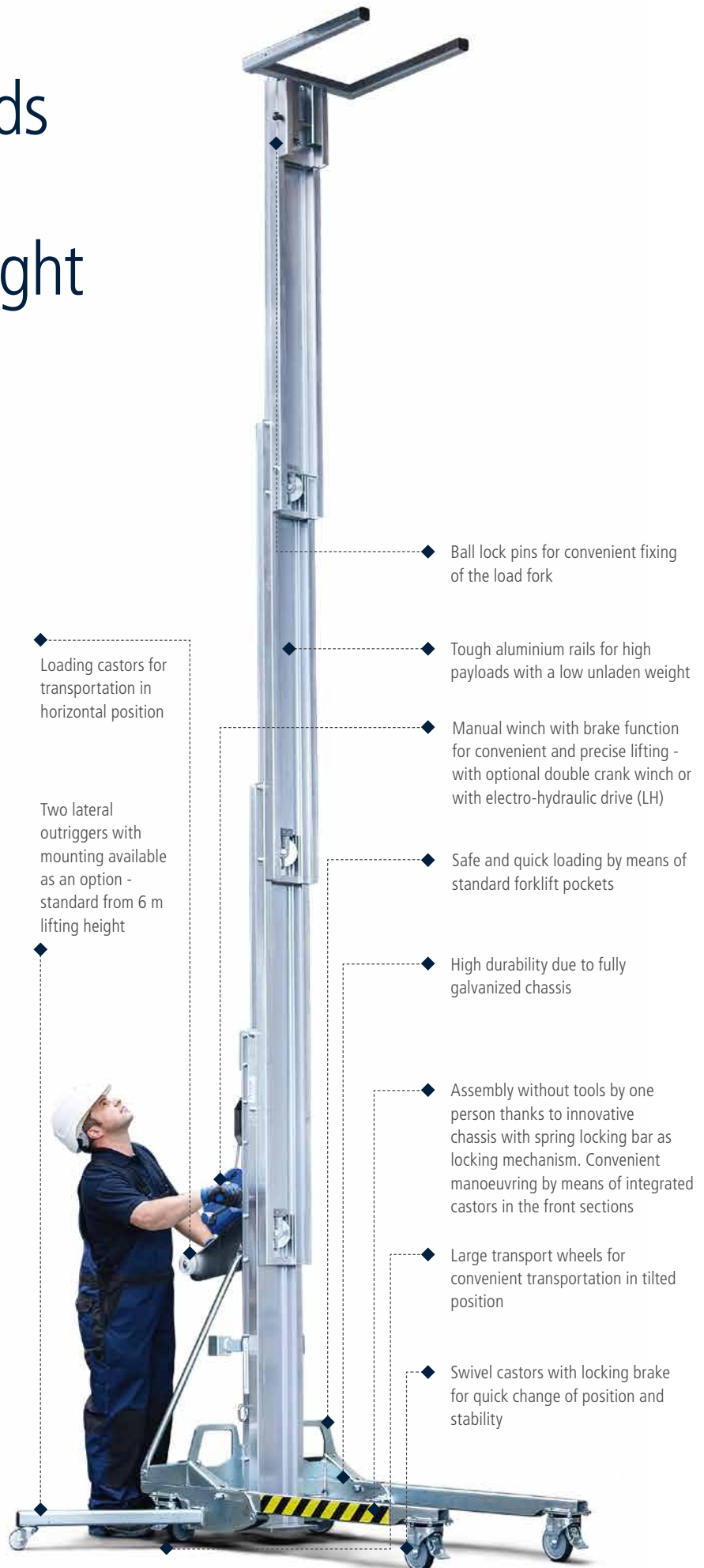




# High payloads with a low unladen weight

## ALP-Material-Lift LM S4.2

The ALP-Material-Lifts of the LM range are characterized by their compact and simple design, combined with above-average payloads and hoisting height. The lifts of the new series 4.2 score with convenient transport options and quick, safe assembly.

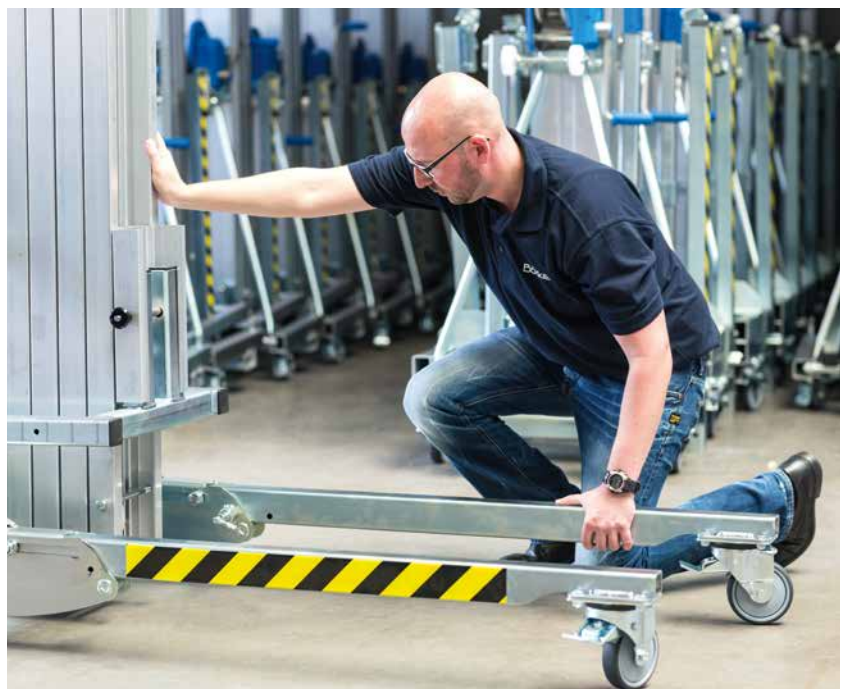




# Quick assembly without tools

## Benefits at a glance

- Operational safely and quickly thanks to short assembly times
- Easy assembly without tools by one person thanks to innovative chassis with spring locking bar as locking mechanism



Assembly of the front sections by means of plug-in connectors



Fixing of the locking brake at the swivel castor



Opening and fixing of front sections by means of spring locking bar



Assembly and fixing of the Load fork using ball lock pins

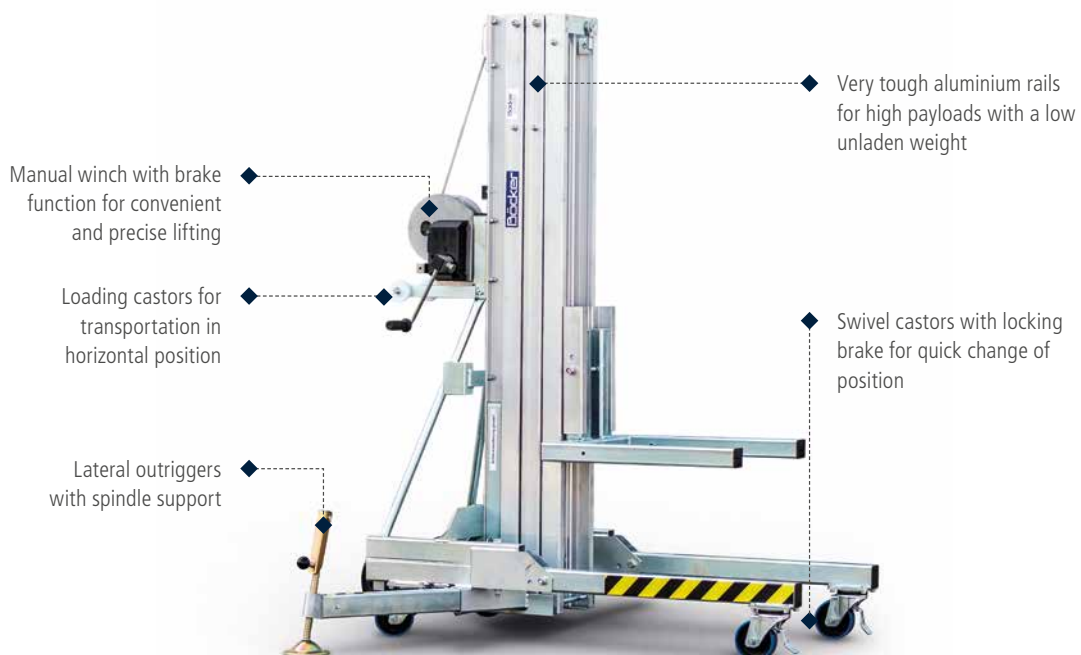




# Maximum performance and flexibility

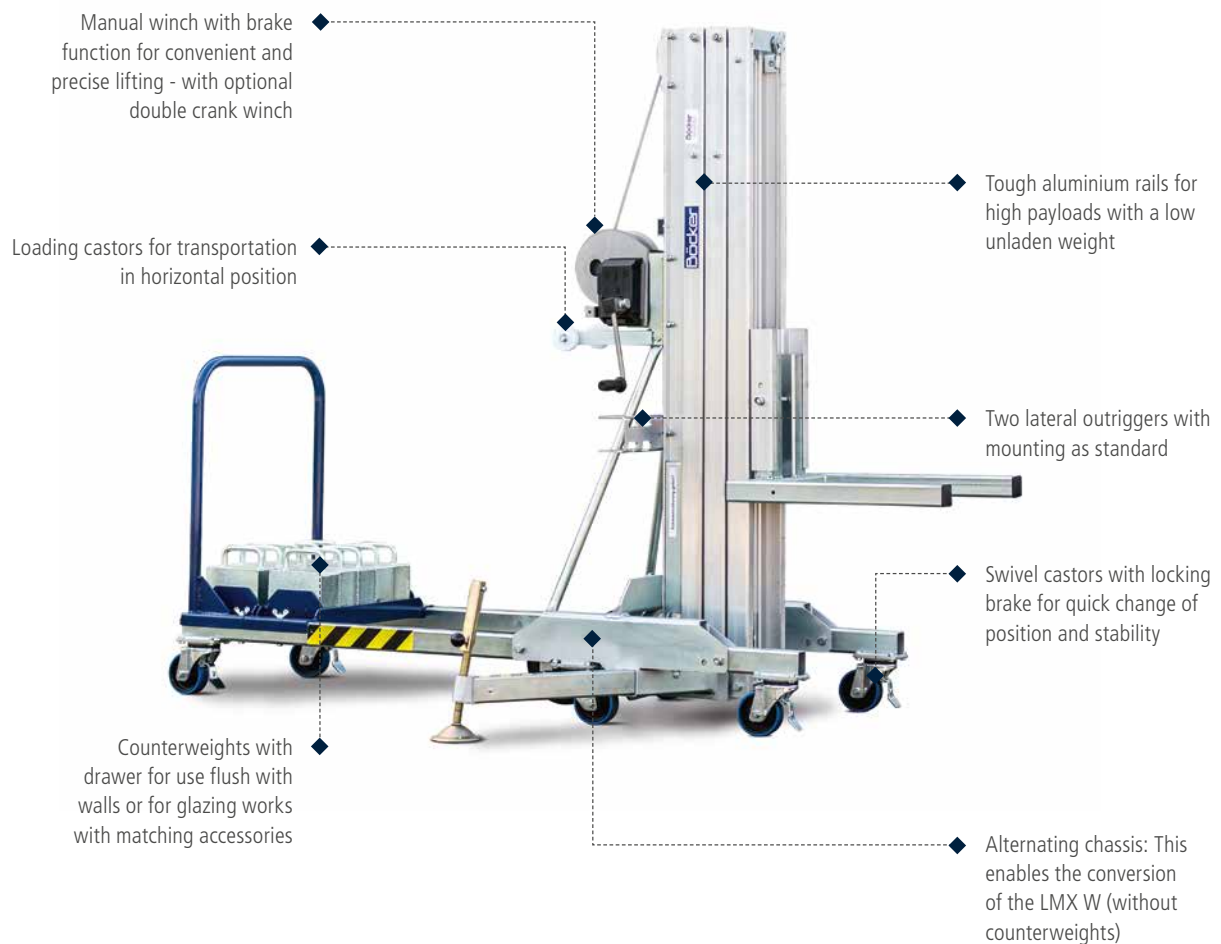
## ALP-Material-Lift LMX

The ALP-Material-Lift LMX stands for particularly high performance. Thanks to extremely stable aluminium profiles and high-performance winches, it comfortably and safely lifts payloads up to 500 kg. At the same time, it is compact in design and reaches its place of deployment via a standard door.



## ALP-Material-Lift LMX W

The material lift LMX W has an alternating chassis. This allows working directly against the wall or in front of obstacles due to the short front outriggers. Thanks to its special design, materials can be transported safely and positioned extremely precisely at the same time. The LMX W is a power pack and masters even the most demanding assemblies with its maximum payload of 500 kg. Permanently mounted counterweights allow the maximum payload to be lifted in virtually any situation.



# Accessories and types of drive

The extensive range of accessories for the ALP-Material-Lifts leaves virtually nothing to be desired and custom-made products can also be provided.



Outrigger spindles for LM S4 and S4.2  
(not available for LMC 625 S4)



Double crank winch



Mounting for lateral outriggers (from 5/6 m lifting height provided as standard)



Lateral outriggers



Load fork extension



Electro-hydraulic drive (LH)



V-pipe holder



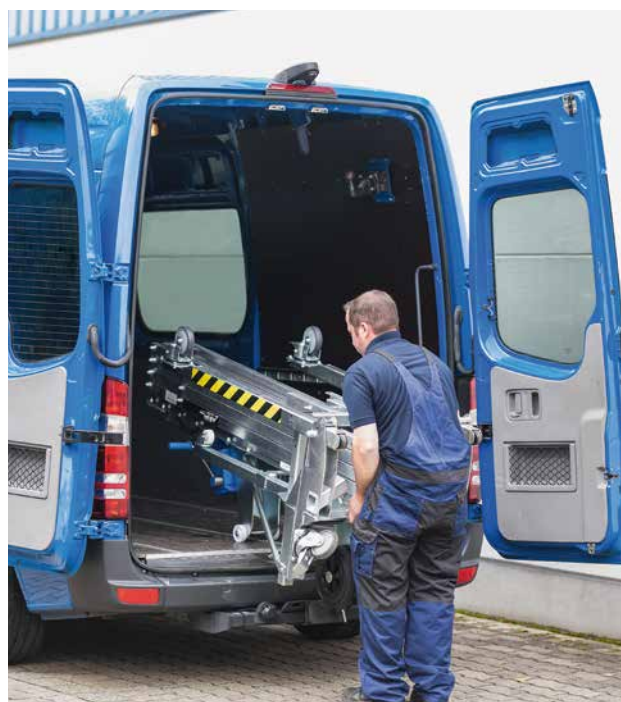
Lashing rings for load securing



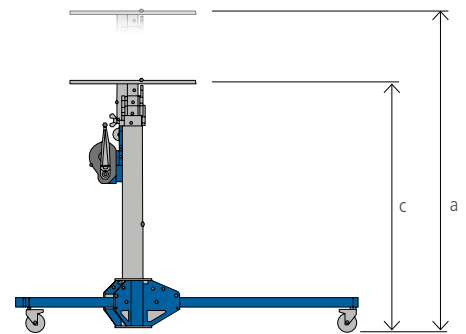
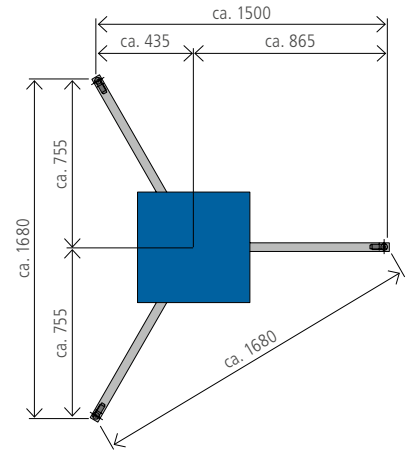
# Easy transport

## Benefits at a glance

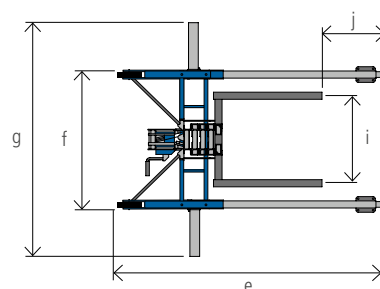
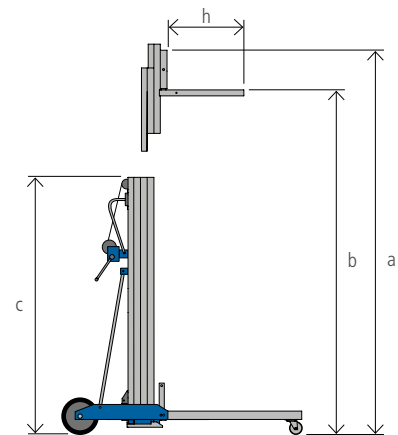
- Easy transport thanks to compact dimensions
- Loading castors at the winch holder for the transportation in horizontal position
- Manoeuvrable and easy to handle by way of integrated castors in the front sections
- Forklift pockets as standard



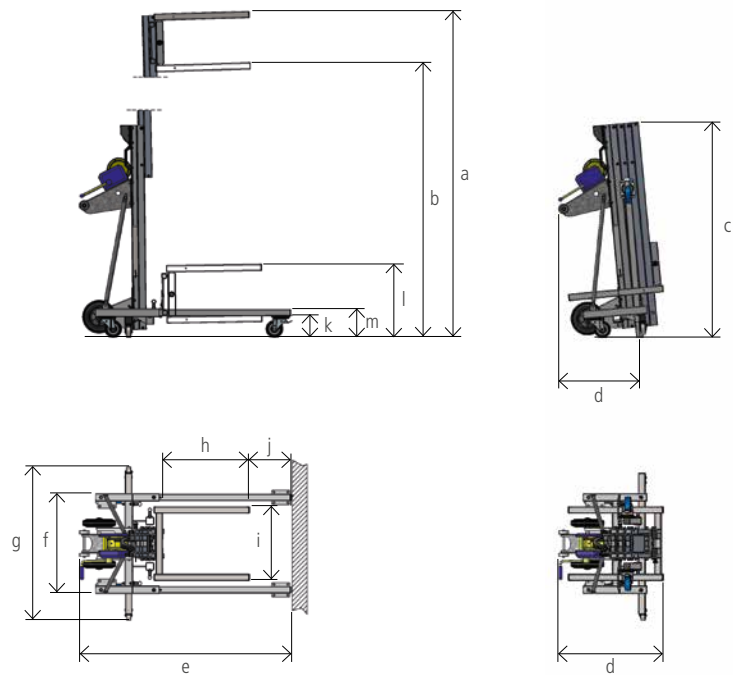
# Technical specifications



Model		ML <sup>1)</sup>	LMJ <sup>1)</sup>
		350	390
Carrying capacity [kg]		100	120
Lifting height max. load fork top [mm]	a	3370	3890
Lifting height max. load fork bottom [mm]	b	–	3560
<b>Load fork dimensions</b>			
Length [mm]	h	–	500
Width [mm]	i	–	450
Wall clearance load fork [mm]	j	–	220
<b>Dimensions for use</b>			
Chassis width [mm]	f	1500	688
Chassis length [mm]	e	1680	1185
Width with lateral outriggers [mm]	g	–	1340
<b>Transport dimensions</b>			
Height of mast [mm]	c	1000	1650
Width [mm]	f	360	688
Length [mm]	d	400	625
<b>Unladen weight</b>			
without lateral outriggers and with fixed attachments [kg]		39	55
with lateral outriggers and fixed attachments [kg]		–	57



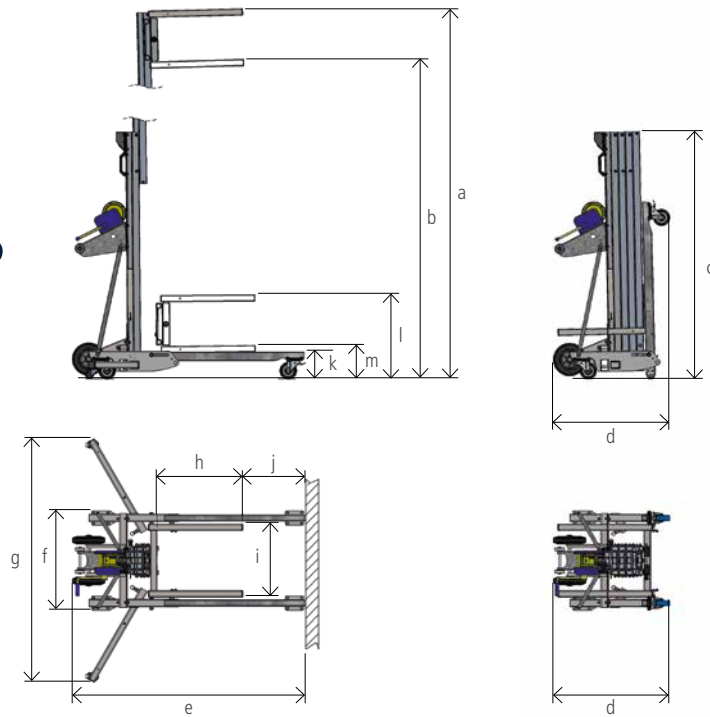
<sup>1)</sup> Mechanical drive      \* Lateral outriggers with fixed mounting as standard  
Subject to modifications to construction, weight and dimensions



Model	LMC S4 <sup>1)</sup>							
		280	335	395	480	510*	620*	625*
Carrying capacity [kg]		250	250	250	250	250	250	250
Lifting height max. load fork top [mm]	<b>a</b>	2780	3360	3940	4790	5090	6230	6250
Lifting height max. load fork bottom [mm]	<b>b</b>	2390	2970	3560	4400	4700	5840	5860
Lifting height min. load fork top [mm]	<b>l</b>	565	565	565	565	565	565	565
Lifting height min. load fork bottom [mm]	<b>k</b>	180	180	180	180	180	180	180
Front section height [mm]	<b>m</b>	210	210	210	210	210	210	210
<b>Load fork dimensions</b>								
Length [mm]	<b>h</b>	650	650	650	650	650	650	650
Width [mm]	<b>i</b>	560	560	560	560	560	560	560
Wall clearance load fork [mm]	<b>j</b>	205	200	150	150	210	210	300
<b>Dimensions for use</b>								
Chassis width [mm]	<b>f</b>	760	760	760	760	760	760	760
Chassis length [mm]	<b>e</b>	1495	1490	1490	1490	1650	1600	1765
Width with lateral outriggers [mm]	<b>g</b>	1435	1435	1435	1435	1435	1435	1435
<b>Transport dimensions</b>								
Height of mast [mm]	<b>c</b>	1620	1910	1630	1915	1635	1925	1640
Width [mm]	<b>f</b>	760	760	760	760	760	760	760
Length [mm]	<b>d</b>	725	725	755	750	810	800	860
<b>Unladen weight</b>								
without lateral outriggers and with fixed attachments [kg]		112	116	127	135	137	149	159
with lateral outriggers and fixed attachments [kg]		123	127	138	146	148	160	170



# Technical specifications

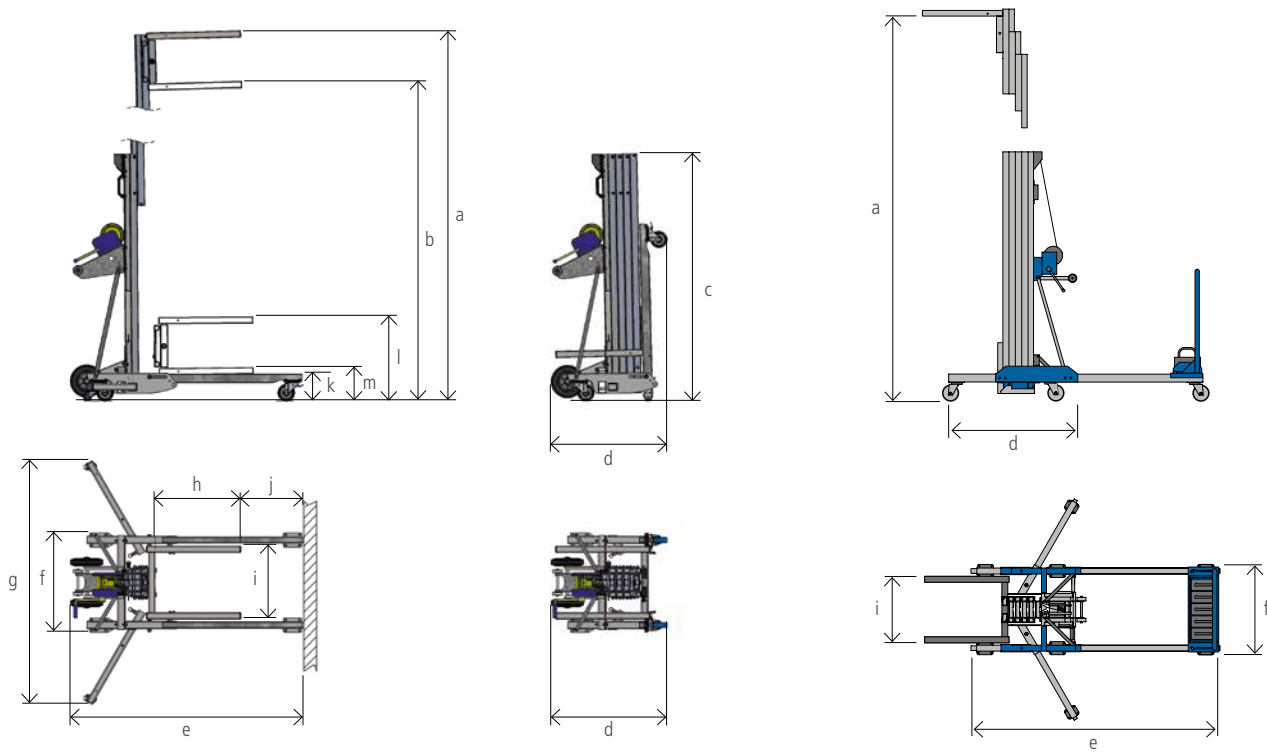


Model	LM S4.2 <sup>1)</sup>						LMX <sup>1)3)</sup>	
	335	400	480	575	620*	750*	500*	
Carrying capacity [kg]	300	300	300	300	300	300	500	
Lifting height max. load fork top [mm]	<b>a</b>	3350	4000	4790	5745	6230	7510	4800
Lifting height max. load fork bottom [mm]	<b>b</b>	2960	3610	4400	5355	5840	7120	4350
Lifting height min. load fork top [mm]	<b>l</b>	660	660	650	650	660	660	650
Lifting height min. load fork bottom [mm]	<b>k</b>	270	270	260	260	270	270	100
Front section height [mm]	<b>m</b>	210	210	210	210	210	210	240
<b>Load fork dimensions</b>								
Length [mm]	<b>h</b>	650	650	650	650	650	650	650
Width [mm]	<b>i</b>	560	560	560	560	560	560	560
Wall clearance load fork [mm]	<b>j</b>	280	280	420	420	365	485	220
<b>Dimensions for use</b>								
Chassis width [mm]	<b>f</b>	760	760	760	760	760	760	760
Chassis length [mm]	<b>e</b>	1560	1560	1760	1760	1760	1900	1610
Width with lateral outriggers [mm]	<b>g</b>	1865	1865	1865	1865	1870*	1870*	1920
<b>Transport dimensions</b>								
Height of mast [mm]	<b>c</b>	1895	2215	1900	2215	1900	2215	1970
Width [mm]	<b>f</b>	760	760	760	760	760	760	760
Length [mm]	<b>d</b>	980	980	910	915	900	890	765
<b>Unladen weight</b>								
Without lateral outriggers and with fixed attachments [kg]		133	140	155	162	172	186	205
With lateral outriggers and fixed attachments [kg]		144	151	166	173	183	197	218
Weight of ballast weights [kg]		–	–	–	–	–	–	–

<sup>1)</sup> Mechanical drive

<sup>2)</sup> Electro-hydraulic drive

<sup>3)</sup> Lateral outriggers with spindle support



**LH S4.2<sup>2)</sup>**

	335	400	480	575	620*	750*
	300	300	300	300	300	300
	3350	4000	4790	5745	6230	7510
	2960	3610	4400	5355	5840	7120
	660	660	650	650	660	660
	270	270	260	260	270	270
	210	210	210	210	210	210
	650	650	650	650	650	650
	560	560	560	560	560	560
	280	280	420	420	365	485
	760	760	760	760	760	760
	1560	1560	1760	1760	1790	1900
	1870	1870	1870	1870	1870*	1870*
	1895	2215	1900	2215	1890	2215
	760	760	760	760	760	760
	980	980	910	915	900	890
	181	189	205	221	232	243
	192	200	216	232	243	254
	-	-	-	-	-	-

**LMX<sup>1)3)</sup>**

	500 W*
	500
	4800
	4350
	650
	100
	240
	650
	560
	-395
	790
	1910
	1920
	1980
	760
	950
	253
	266
	200

\* Lateral outriggers with fixed mounting provided as standard  
 Subject to modifications to construction, weight and dimensions

# Böcker

## **Böcker Maschinenwerke GmbH**

Lippestr. 69-73

59368 Werne

Fon +49 2389 79890

Fax +49 2389 79899000

info@boecker.de

[www.boecker.de](http://www.boecker.de)

## **Böcker Belgium N.V.**

Boomsesteenweg 101

2630 Aartselaar

Fon +32 3 4576241

Fax +32 3 4576242

info@boecker.be

## **Böcker France SAS**

5, rue Maximilien Robespierre

93130 Noisy-le-Sec

Fon +33 1 48406767

Fax +33 1 48406768

info@boecker.fr

## **Böcker Italia S.r.l.**

Sede Legale:

Corso Porta Nuova 11

37122 Verona (VR)

Sede Operativa/Amministrativa:

Via delle Nazioni 6

37012 Bussolengo (VR)

Fon +39 45 8780399

Fax +39 45 8780420

info@boecker.it

## **Böcker Nederland B.V.**

De Geerden 22

5334 LE Velddriel

Fon +31 418 571444

Fax +31 418 635222

info@boecker.nl

## **Böcker Schweiz AG**

Industriestr. 17

4800 Zofingen

Fon +41 62 7976262

Fax +41 62 7976268

info@boecker.ch

## **Boecker UK Limited**

Unit B Grazebrook Industrial Park

Hulbert Drive, Dudley

West Midlands UK-DY2 0XW

Fon +44 1384 476580

info@boecker.co.uk